

# **A TE A**

**2021 J 21**  
**Linear Lighting**



Today, lighting plays an integral part of architecture - permitting structural lines to be recreated and spaces to be redefined. Over the past years, lighting sources and equipment have undergone major technological development in terms of performance and economy. As well, new means of development available to designers have revolutionized work methods and production capacity. Day after day, Atea integrates these new tools in its endeavor to fuse aesthetic research with technology in the context of lighting.

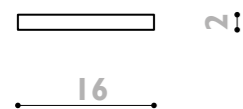
La lumière aujourd'hui, fait partie intégrante de l'architecture. Elle permet de recréer des axes de structure et de définir l'ambiance des lieux. Les sources et les appareils d'éclairage ont connu ces dernières années un important développement technologique dans les domaines de la performance et de l'économie. De même les nouveaux moyens de développement mis à la disposition des designers ont bouleversé leurs méthodes de travail et leur capacité de synthèse. Atea, jour après jour, intègre ces nouveaux outils avec comme projet de mettre la recherche esthétique et la technologie au service de la lumière.

Pierre Scholtès

Serie	Model	Ref	Max power w/m	leds/m	Lumens lm/m (@4000k)	CRI /custom	Page	FPC width	Min Cut led/mm	CCT / Color (x100 k)	IP	Dimension mm	Standards	
PURE CRI	C99	A4199	26	140	2380	99 +/-1	19	10	7/50	22/27/30/40	IP20/IP67T	5000x10x2	CE	
	C99	A4199	13	140	1300	99 +/-1	19	10	7/50	22/27/30/40	IP20/IP67T	5000x10x2	CE	
ULTRACRI	CR	A4101	23	176	2700	98 +/-2	21	10	8/45	18/21/24/27/30/35/40/52/62	IP20/IP54/IP67T	5000x10x2	CE / UL	
	CR	A4101	20	120	1735	98 +/-2	21	10	6/50	18/21/24/27/30/35/40/52/62	IP20/IP54/IP67T	5000x10x2	CE / UL	
	CR	A4101	10	120	950	98 +/-2	21	10	6/50	18/21/24/27/30/35/40/52/62	IP20/IP54/IP67T	5000x10x2	CE / UL	
DYNAMIC WHITE	DW	A4102	23	120	2500	98 +/-2	25	10	6+6/100	18/21/24/27/30/35/40/52/62	IP20/IP54/IP67T	5000x10x2	CE / UL	
	DW	A4102	10	120	950	98 +/-2	25	10	6+6/100	18/21/24/27/30/35/40/52/62	IP20/IP54/IP67T	5000x10x2	CE / UL	
3D	3D	A4103	10	120	720	98 +/-2	27	12	6/50	18/21/24/27/30/35/40/52/62	IP67T	5000x10x6	CE / UL	
SNAKE	SN	A4105	5	60	390	98 +/-2	29	6	6/100	18/21/24/27/30/35/40/52/62	IP20	5000x6x2	CE / UL	
	SN	A4105	12	60	1160	93 +/-2	29	6	6/100	21/24/27/30/35/40/60	IP20	5000x6x2	CE / ETL	
SLIM	S5	A4110	15	180	1100	93	31	5	6/34	21/24/27/30/40/60/R/G/B/Y	IP20/IP54/IP67T	5000x5x2	CE / UL	
	S8	A4118	15	180	1400	98 +/-2	31	8	6/34	18/21/24/27/30/35/40/52/62	IP20/IP54/IP67T	5000x8x2	CE / UL	
	S8	A4118	10	120	950	98 +/-2	31	8	6/50	18/21/24/27/30/35/40/52/62	IP20/IP54/IP67T	5000x8x2	CE / UL	
REGULAR	C9	A4109	25	240	2640	93	33	10	6/25	21/24/27/30/40/60/R/G/B/Y	IP20/IP65H	5000x10x2	CE / ETL	
	C9	A4109	24	120	2400	93	33	10	6/50	21/24/27/30/40/60/R/G/B/Y	IP20/IP65H	5000x10x2	CE / ETL	
	C9	A4109	12	60	1200	93	33	8	6/100	21/24/27/30/40/60/R/G/B/Y	IP20/IP65H	5000x 8x2	CE / ETL	
HIGH EFFICACY	HE	A4111	29	160	4320	82 / 92	35	12	8/50	24/27/30/40/60	IP20/IP54/IP67T	3000x12x2	CE / UL	
	HE	A4111	23	128	3450	82 / 92	35	12	8/63	24/27/30/40/60	IP20/IP54/IP67T	5000x12x2	CE / UL	
ULTRA EFFICACY	UE	A4116	40	224	6050	82 / 92	37	12	8/36	24/27/30/40/60	IP20/IP54	3000x12x2	CE / UL	
	UE	A4116	29	160	4900	82 / 92	37	12	8/50	24/27/30/40/60	IP20/IP54	3000x12x2	CE / UL	
DISTANCE	D30	A4121	15	120	1510	90 / 98	39	10	6/50	24/27/30/40/60	IP20/IP67T	3000x10x2	CE / UL	
	D50	A4121	4	60	460	90 / 98	39	10	6/100	24/27/30/40/60	IP20/IP67T	5000x10x2	CE / UL	
PIXEL 12V	PX	A4119	15	60	1260	82	41	10	3/50	27/30/40/60/R/G/B	IP20/IP54/IP67T	pixel 50mm - pixel by pixel	5000x10x2	
PIXEL RGB 5V	RGB	A4120	18	60	-	-	43	10	1/17	RGB	IP20/IP67H	pixel 17mm - pixel by pixel	5000x10x2	CE / ETL
RGB	RGB	A4106	23	96	-	-	45	10	6/63	RGB	IP20/IP54/IP67T	5000x10x2	CE / ETL	
RGB	RGB	A4106	15	60	-	-	45	10	6/100	RGB	IP20/IP54/IP67T	5000x10x2	CE / ETL	
RGB DMX	RGB	A4106.DMX	15	60	-	-	45	12	6/100	RGB	IP20/IP54/IP67H	pixel 100mm - direct dmx	5000x12x2	CE / ETL
RGB+W	RGBW	A4107	23	96	912	92	47	12	4+4/83	RGB+21/24/27/30/40/60	IP20/IP67H	5000x12x2	CE / ETL	
RGB+2W	RGB2W	A4117	23	72	648	92	49	16	6+6/167	RGB+30+60	IP20/IP67H	5000x16x2	CE / ETL	
NEO 3D	NE	A4113.1515				82	51				IP67	5000x15x15	CE / UL	
NEO TOP	NS	A4114.1312				82	53				IP67	5000x13x12	CE / UL	
SIDE SIDE	SW	A4115.1220					55				IP67	5000x12x20	CE / UL	

Serie	Model	Ref	Max power w/m	Bending mm	Lumens lm/m (@4000k)	CRI Ra	Page		Angle °	Min Cut mm	CCT / Color (x100 k)	IP/IK	Input voltage	Dimension mm	Standards
<b>NEO 360</b>	N360	A4113.D25.W	15	>120	950	92 +/-2	55		360	500	23/27/30/40	IP65/IK08	24v	5000xD25	CE/UL/ROHS
	N360	A4113.D25.DW	15	>120	375	92 +/-2	55		360	n/a	23+40	IP65/IK08	24v	5000xD25	CE/UL/ROHS
	N360	A4113.D25.R/G/B/Y	15	>120			55		360	n/a	R/G/B/Y	IP65/IK08	24V	5000XD25	CE/UL/ROHS
<b>NEO 3D</b>	N3D	A4113.1515.W	8	>60	510	92 +/-2	57		120	41.66	23/28/32/44	IP67/IK08	24v	5000x15x15	CE/UL/ROHS
	N3D	A4113.1515.R/G/B/Y	8	>60			57		120	41.66	R/G/B/Y	IP67/IK08	24v	5000x15x15	CE/UL/ROHS
<b>NEO TOP</b>	NT1312	A4114.1312.W	11	>60	620	92 +/-2	59		110	50.00	23/27/30/40	IP67/IK08	24v	5000x13x12 (10m possible)	CE/UL/ROHS
	NT1312	A4114.1312.R/G/B/Y	9	>60			59		110	50.00	R/G/B/Y	IP67/IK08	24v	5000x13x12 (10m possible)	CE/UL/ROHS
	NT1312	A4114.1312.DW	14	>60	300	92 +/-2	59		110	31.25	27+50	IP67/IK08	24v	5000x13x12	CE/UL/ROHS
	NT1312	A4114.1312.RGB	13	>60			59		110	83.00	RGB	IP67/IK08	24v	5000x13x12	CE/UL/ROHS
	NT1312	A4114.1312.RGBW	17	>60		92 +/-2	59		110	62.50	RGBW (27/35/45/50)	IP67/IK08	24v	5000x13x12	CE/UL/ROHS
	NT1312	A4114.1312.RGBX	21	>60			59		110	71.43	RGBX	IP67/IK08	24v	5000x13x12	CE/UL/ROHS
<b>NEO TOP DISTANCE</b>	NTDIS	A4114.1515D.W6	6	>60	250	92 +/-2	61		110	100	23/27/30/40	IP67/IK08	48v	5000x15x15	CE/UL/ROHS
	NTDIS	A4114.1515D.W10	10	>60	350	92 +/-2	61		110	100	23/27/30/40	IP67/IK08	48v	20000x15x15	CE/UL/ROHS
<b>NEO TOP 3 SIDES</b>	NT3S	A4114.3S.1312U.W	12	>60	800	92 +/-2	63	PF	210	38.50	23/27/30/40/50	IP67/IK08	24v	5000x13x12 (10m possible)	CE/UL/ROHS
<b>NEO TOP DOME</b>	NTD	A4114.1615.W	12	>60	820	95 +/-2	65	ES	210	41.66	23/27/30/37/50	IP67/IK08	24v	5000x16x15 (15m possible)	CE/UL/ROHS
	NTD	A4114.1615.RGB	15	>60			65	LY	210	50.00	RGB	IP67/IK08	24v	5000x16x15	CE/UL/ROHS
<b>NEO TOP POOL</b>	NTP	A4114.1515P.W	10	>60	430	92 +/-2	67		110	50.00	23/27/30/40	IP68/IK08	24v	5000x15x15 (10m possible)	CE/UL/ROHS
	NTP	A4114.1515P.R/G/B/Y	8	>60			67		110	50.00	R/G/B/Y	IP68IK08	24v	5000x15x15 (10m possible)	CE/UL/ROHS
	NTP	A4114.1515P.DW	10	>60	190	92 +/-2	67		110	62.50	23+40	IP68/IK08	24v	5000x15x15	CE/UL/ROHS
	NTP	A4114.1515P.RGB	12	>60			67		110	80.00	RGB	IP68/IK08	24v	5000x15x15	CE/UL/ROHS
<b>NEO SIDE</b>	NS1217	A4115.1217.W	11	>60	520	92 +/-2	69	LY	110	50.00	23/27/30/40/60	IP67/IK08	24v	5000x12x17 (10m possible)	CE/UL/ROHS
	NS1217	A4115.1217.R/G/B/Y	9	>60			69		110	50.00	R/G/B/Y	IP67/IK08	24v	5000x12x17 (10m possible)	CE/UL/ROHS
	NS1217	A4115.1217.DW	14	>60	325	92 +/-2	69		110	100.00	23+40 / 27+60	IP67/IK08	24v	5000x12x17	CE/UL/ROHS
	NS1217	A4115.1217.RGB	13	>60			69		110	83.00	RGB	IP67/IK08	24v	5000x12x17	CE/UL/ROHS
	NS1217	A4115.1217.RGBW	17	>60		92 +/-2	69	LY	110	62.50	RGBW	IP67/IK08	24v	5000x12x17	CE/UL/ROHS
	NS1217	A4115.1217.RGBX	21	>60			69	LY	110	71.43	RGBX	IP67/IK08	24v	5000x12x17	CE/UL/ROHS
<b>NEO SIDE SLIM4</b>	NS0410	A4115.0410.W	8	>30	270	92 +/-2	71		110	41.66	23/27/30/40	IP67/IK06	24v	5000x04x10	CE/UL/ROHS
	NS0410	A4115.0410.R/G/B/Y	8	>30			71		110	41.66	R/G/B/Y	IP67/IK06	24v	5000x04x10	CE/UL/ROHS
	NS0410	A4115.0410.DW	8	>30	85	92 +/-2	71		110	31.25	23+40	IP67/IK06	24v	5000x04x10	CE/UL/ROHS
<b>NEO SIDE SLIM6</b>	NS0612	A4115.0612.W	10	>30	280	92 +/-2	73		110	50.00	23/27/30/40	IP67/IK06	24v	5000x06x12	CE/UL/ROHS
	NS0612	A4115.0612.W.30m	6	>30	190	92 +/-2	73		110	50.00	23/27/30/40	IP67/IK06	48v	30000x06x12	CE/UL/ROHS
	NS0612	A4115.0612.R/G/B/Y	8	>30			73		110	50.00	R/G/B/Y	IP67/IK06	24v	5000x06x12	CE/UL/ROHS
	NS0612	A4115.0612.DW	10	>30	140	92 +/-2	73		110	62.50	23+40	IP67/IK06	24v	5000x06x12	CE/UL/ROHS
<b>NEO SIDE DISTANCE</b>	NSDIS	A4115.1217D.W.50m	6	>60	240	92 +/-2	75	DX	110	100	23/27/30/40	IP67/IK08	48v	50000x12x17	CE/UL/ROHS
	NSDIS	A4115.1217D.W.20m	10	>60	400	92 +/-2	75		110	100	23/27/30/40	IP67/IK08	48v	20000x12x17	CE/UL/ROHS
	NSDIS	A4115.1217D.R/G/B	10	>60			75		110	100		IP67/IK08	48v	20000x12x17	CE/UL/ROHS
	NSDIS	A4115.1217D.RGB	10	>60			75		110	100		IP67/IK08	48v	20000x12x17	CE/UL/ROHS
	NSDIS	A4115.1217D.RGBW	10	>60			75		110	125	23/27/35/40/50	IP67/IK08	48v	20000x12x17	CE/UL/ROHS
	NSDIS	A4115.1217.DW	10	>60	170	92 +/-2	75		110	62.5	23+40	IP67/IK08	48v	20000x12x17	CE/UL/ROHS
<b>NEO SIDE POOL</b>	NSP	A4115.1224.W	10	>60	520	92 +/-2	77		140	50.00	23/27/32/42/50	IP68/IK08	24v	5000x12x24 (10m possible)	CE/UL/ROHS
	NSP	A4115.1224.R/G/B/Y	8	>60			77		140	50.00	R/G/B/Y	IP68/IK08	24v	5000x12x24 (10m possible)	CE/UL/ROHS
	NSP	A4115.1224.RGB	12	>60			77		140	83.00	RGB	IP68/IK08	24v	5000x12x24	CE/UL/ROHS

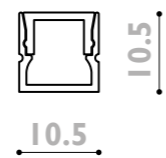
**A3953 Flex**  
(P.83)



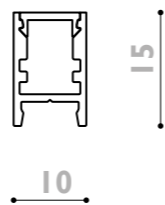
**A39108 Cova**  
(P.85)



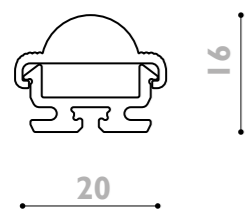
**A3972 Campus Mini**  
(P.92)



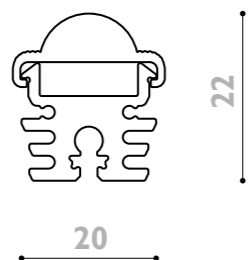
**A3989 Cobe Mini**  
(P.93)



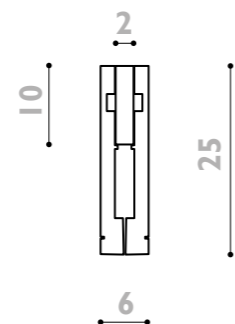
**A3952 Totem**  
(P.87)



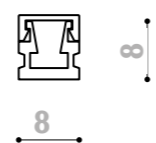
**A3950 Totem XL**  
(P.86)



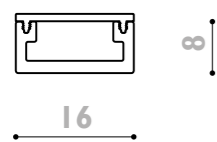
**A39110 Sini**  
(P.101)



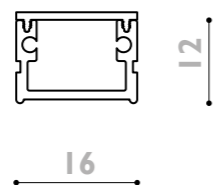
**A39109 Little**  
(P.91)



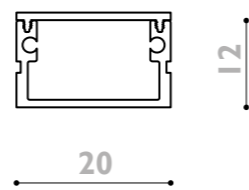
**A39107 Romulus Mini**  
(P.95)



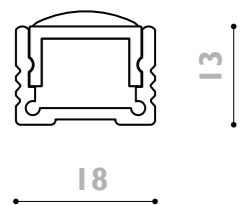
**A39105 Romulus**  
(P.96)



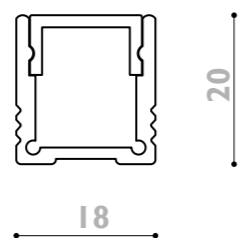
**A39104 Romulus XL**  
(P.97)



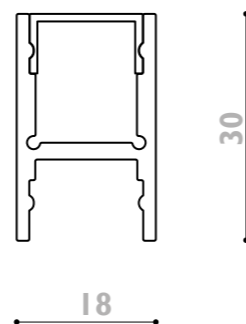
**A3960 Campus**  
(P.88)



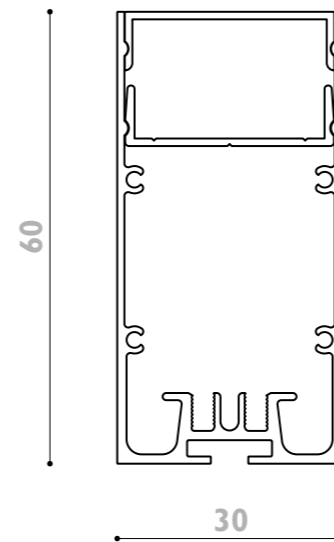
**A3961 Campus High**  
(P.89)



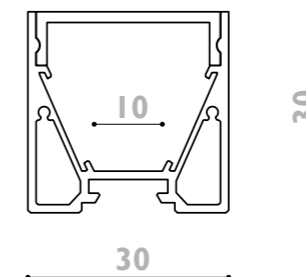
**A3962 Cobe H**  
(P.98)



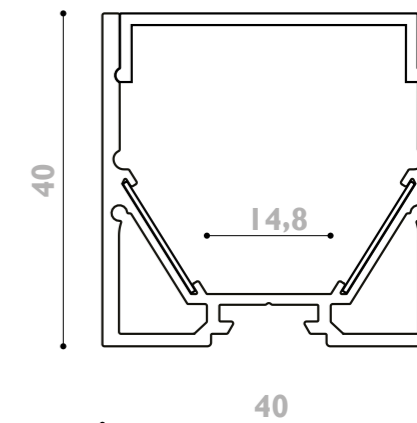
**A3920 Trento**  
(P.99)



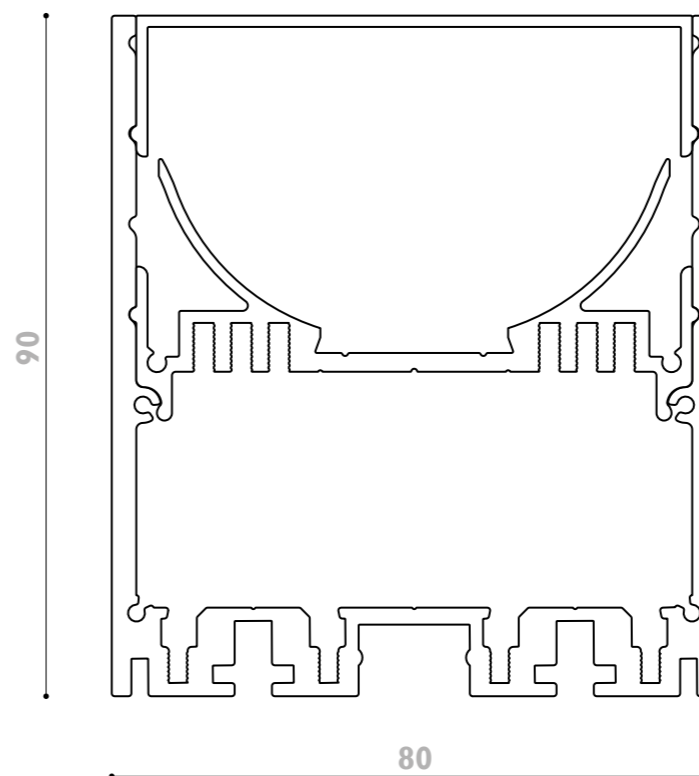
**A3971 Alpha**  
(P.102)



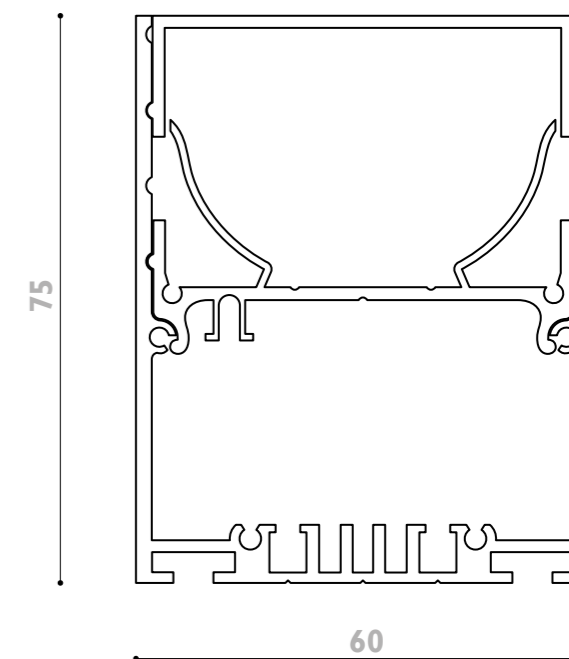
**A3979 Alpha XL**  
(P.103)



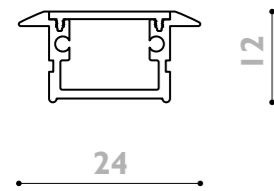
**A3926 Octo**  
(P.105)



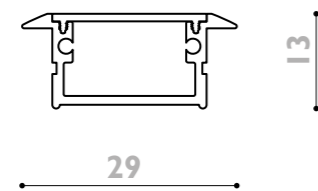
**A3921 Saxo**  
(P.104)



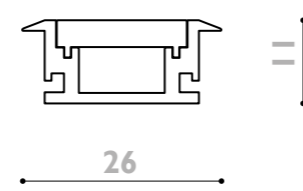
**A39123 Belini**  
(P.114)



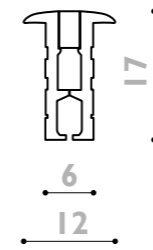
**A39122 Belini XL**  
(P.115)



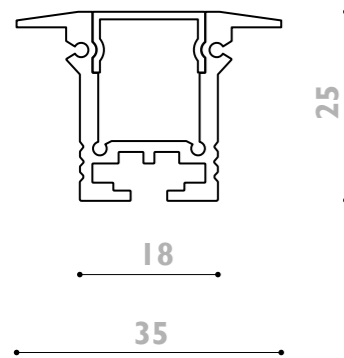
**A39144 Solo**  
(P.113)



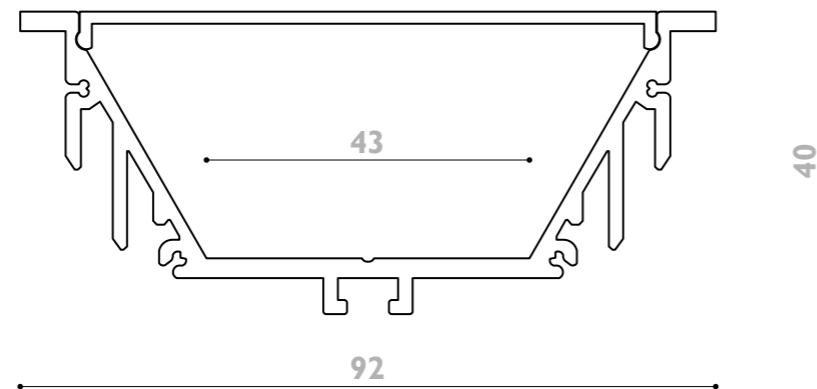
**A39126 Sini T**  
(P.100)



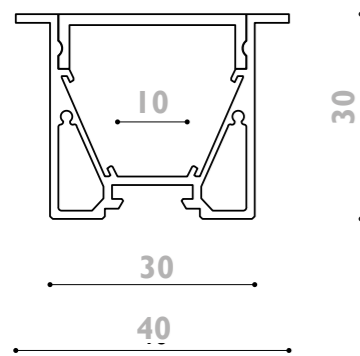
**A3963 Cobe T**  
(P.112)



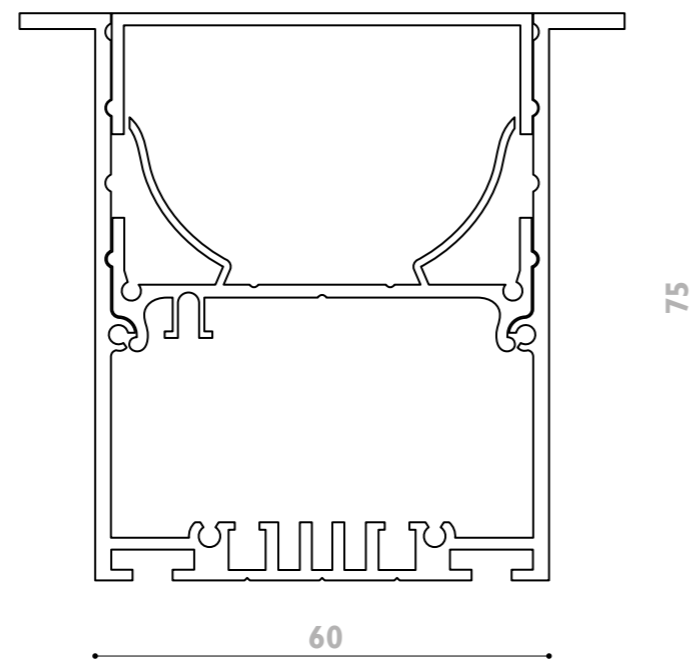
**A3982 Astro T**  
(P.111)



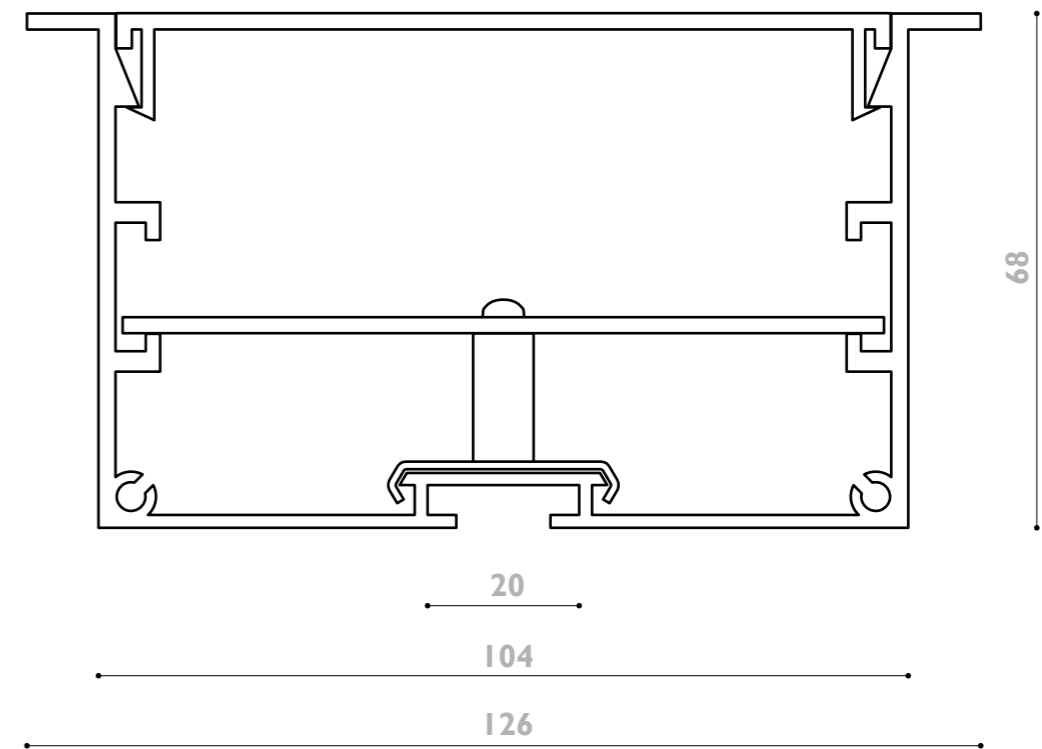
**A3970 Alpha T**  
(P.110)



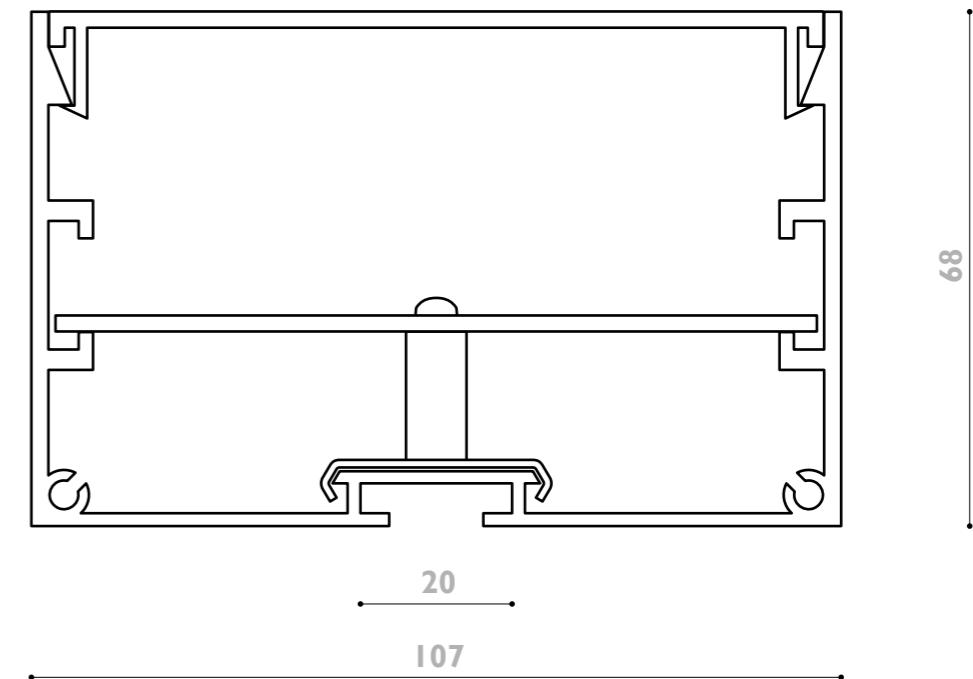
**A3925 Saxo T**  
(p.111)



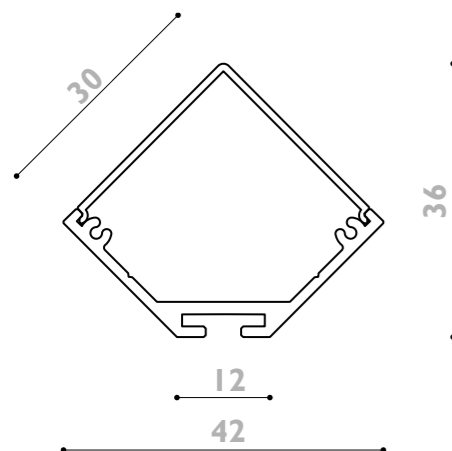
**A39180 Cento T**  
(P.107)



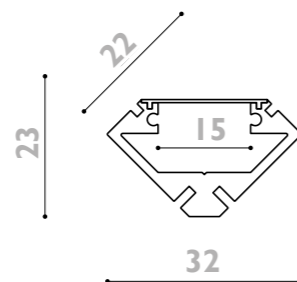
**A39175 Cento**  
(P.106)



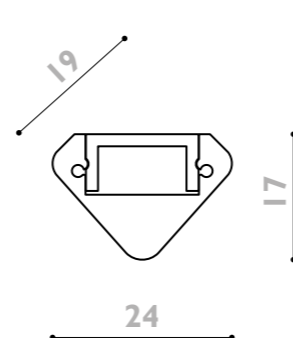
**A3949 Angel**  
(P.118)



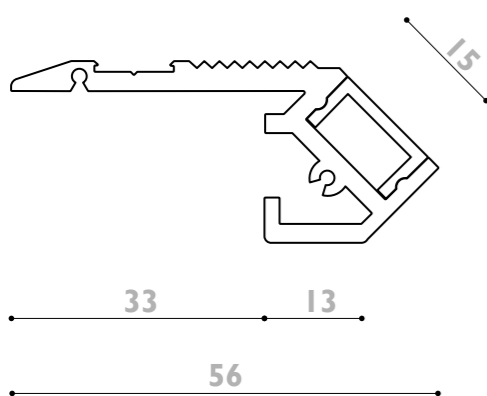
**A39133 Sofia**  
(P.117)



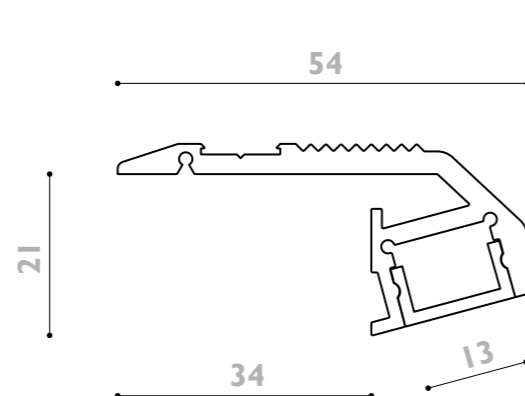
**A3967 Trio**  
(P.116)



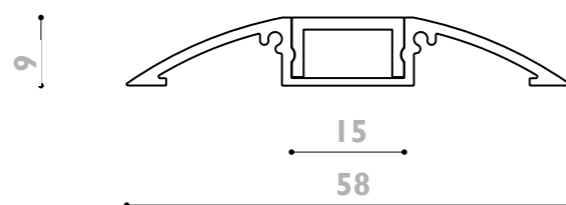
**A3977 Step UP**  
(P.122)



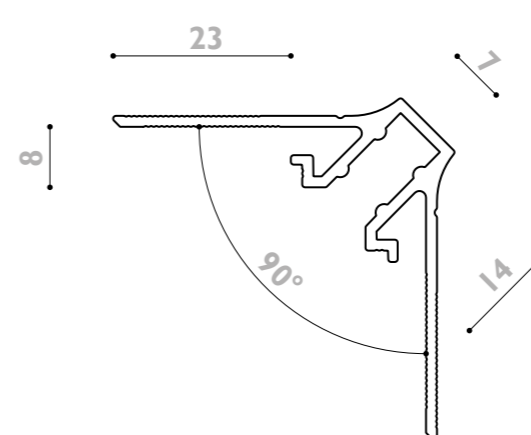
**A3977 Step Down**  
(P.122)



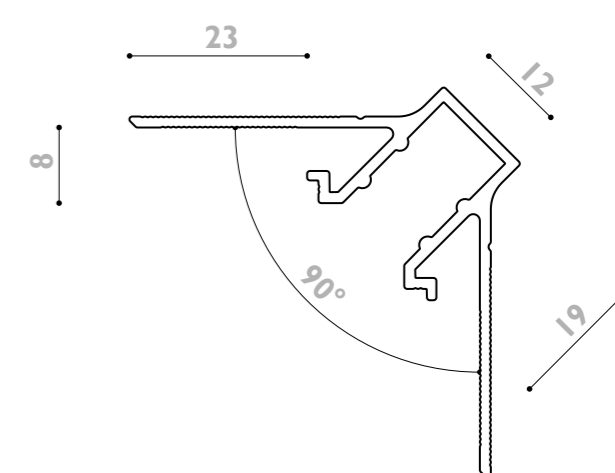
**A3942 Fondo**  
(P.123)



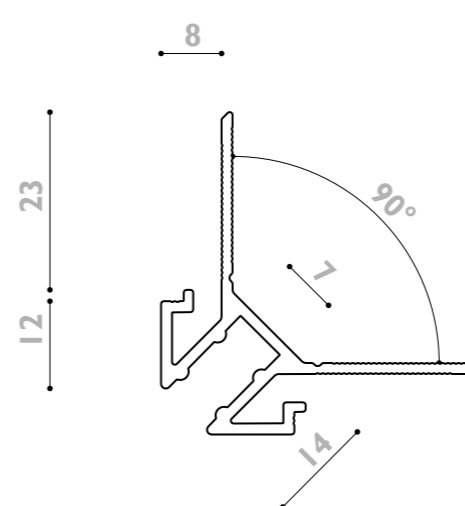
**A3927 Corner**  
(P.119)



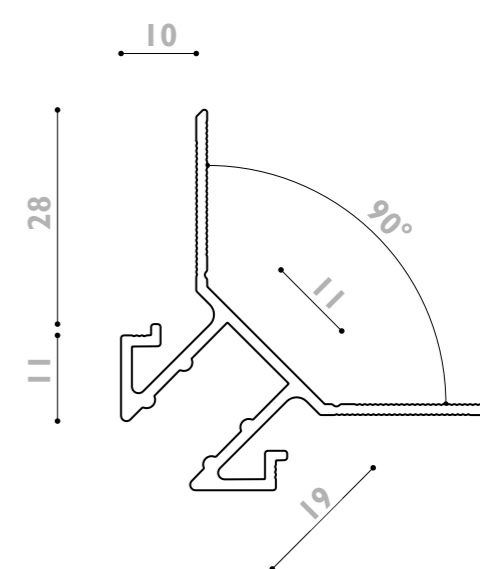
**A3928 Corner**  
(P.119)



**A3929 Corner**  
(P.119)



**A3930 Corner**  
(P.119)

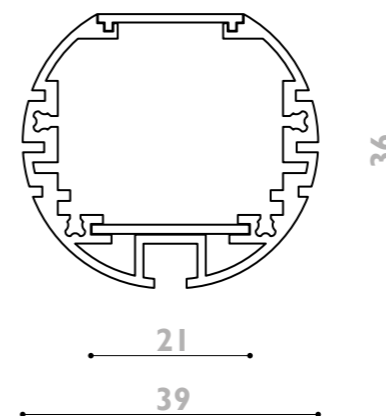




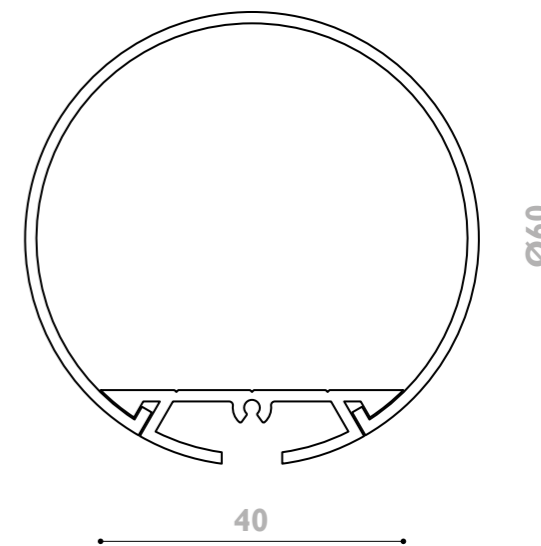
ROUND

ATEA

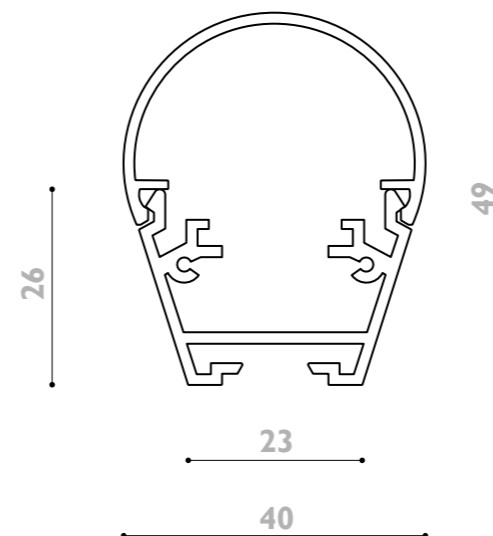
**A39163 Olympe XL**  
(P.126)



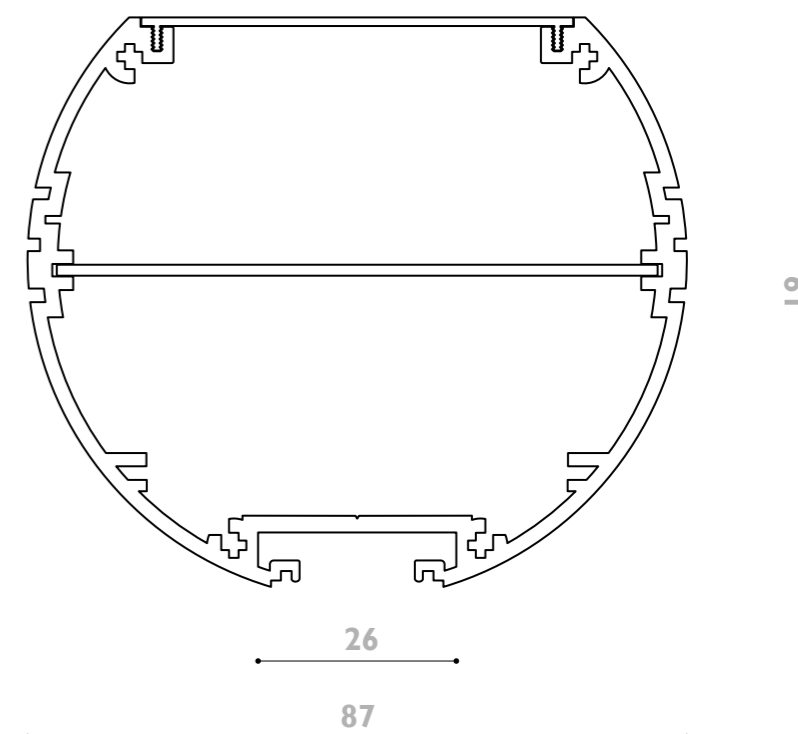
**A39172 Odin**  
(P.125)



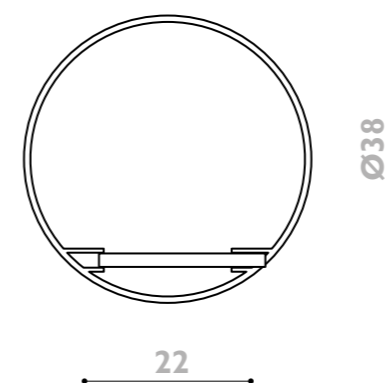
**A3923 Garda**  
(P.128)



**A39174 Oscar**  
(P.127)



**A39165 Orion**  
(P.124)







**STRIP**

PURE CRI	19
ULTRACRI	21
DYNAMIC WHITE	25
3D	27
SNAKE	29
SLIM 5	31
REGULAR	33
HIGH EFFICACY	35
ULTRA EFFICACY	37
DISTANCE	39
PIXEL	41
PIXEL RGB	43
RGB	45
RGB+W	47
RGB2W	49
NEO 3D	51
NEO TOP	53
NEO SIDE	55

# PURE CRI

Ultimate performance ledstrip CRI99  
 Ruban très haute performance IRC99  
 A4199



Indice de Rendu de Couleur IRC **Color Rendering CRI**  
 99 (+/-1)

Température de couleur **Color CCT**  
 2700K - 3000K - 4000K - 6000K

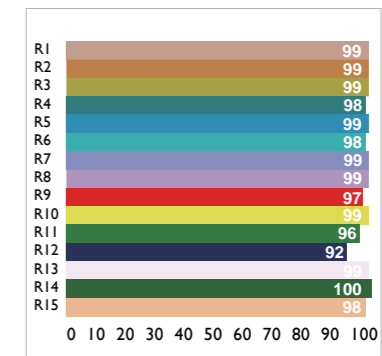
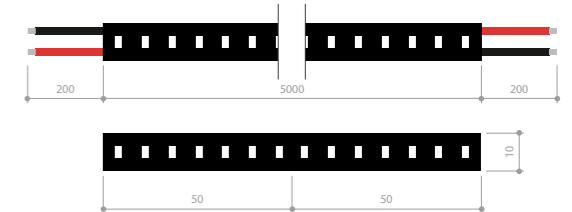
Rendement **Luminous Efficacy**  
 65 lm/w - 80 lm/w

Puissance & nombre de led **Power & number of Led**  
 26 w/m & 140 led/m | 13 w/m & 140 leds/m

Coupe **Cut**  
 50 mm

Dimensions **Dimensions**  
 5000 mm x 10 mm x 2 mm

Température d'utilisation **Ambiant temp.**  
 - 10°C / + 40°C



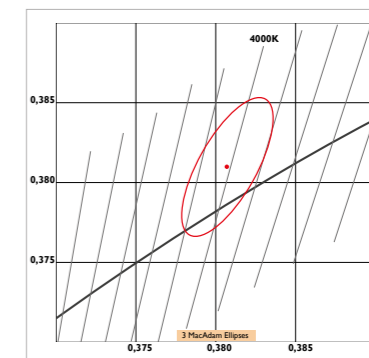
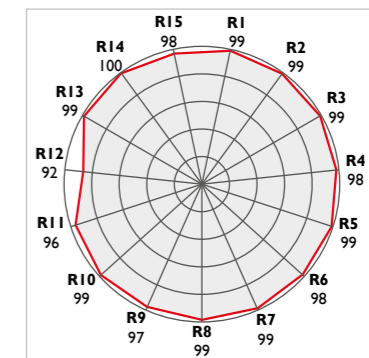
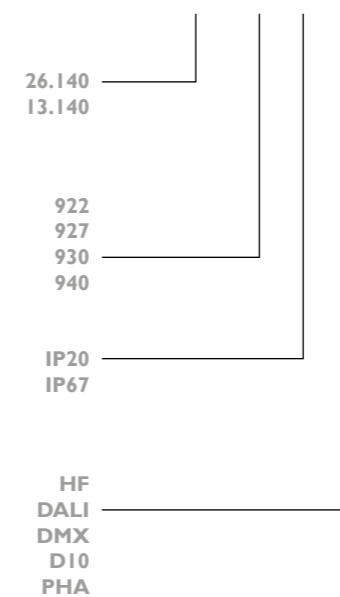
A4199.26.140.940.IP20.DALI

**Power & number led/m**  
 26 w/m & 140 led/m  
 13 w/m & 140 led/m  
 Custom (5 to 15W)

Led Color	flux 13 w/m	26 w/m	
2200K	960 lm	1920 lm	922
2700K	1140 lm	2100 lm	927
3000K	1220 lm	2240 lm	930
4000K	1360 lm	2500 lm	940

**IP Rating**  
 IP 20  
 IP 67 TUBE  
 Custom (IP20 or IP65)

**Dimming**  
 No dimming  
 Dali  
 Dmx  
 Dimming I to 10VDC  
 Phase dimming digital



# ULTRACRI

High performance ledstrip CRI between 97 and 98  
 Ruban led haute performance IRC compris entre 97 et 98  
**A4101**



**Indice de Rendu de Couleur IRC Color Rendering CRI**  
 98 (+/-2)

**Température de couleur Color CCT**  
 1800K - 2100K - 2400K - 2700K - 3000K - 3500K - 4000K - 5000K - 6000K

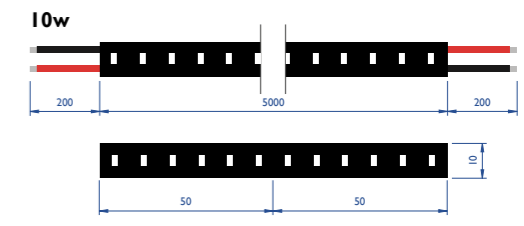
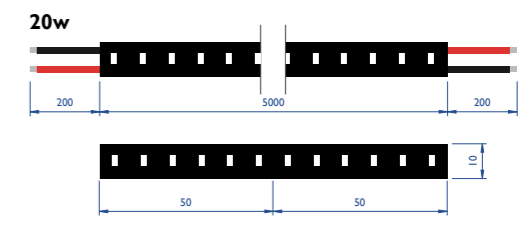
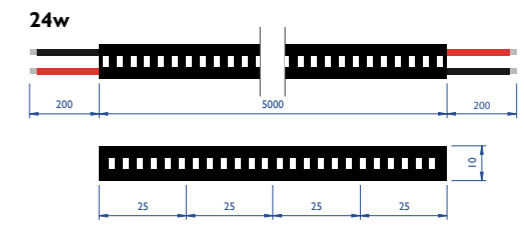
**Rendement Luminous Efficacy**  
 60 lm/w - 90 lm/w

**Puissance & nombre de led Power & number of Led**  
 23 w/m & 240 led/m | 20 w/m & 120 led/m | 10 w/m & 120 leds/m

**Coupe Cut**  
 25 mm (23w) | 50 mm (20w/10w)

**Dimensions Dimensions**  
 5000 mm x 10 mm x 2 mm

**Température d'utilisation Ambient temp.**  
 - 10°C / + 40°C



**A4101.20.120.924.IP20.DALI**

**Power & number led/m**  
 23 w/m & 240 led/m  
 20 w/m & 120 led/m  
 10 w/m & 120 led/m  
 Custom (5 to 15W)

Led Color	flux 10 w/m	20 w/m	23 w/m	
1800K YP35	650 lm	1190 lm	1720 lm	918
2100K YN35	720 lm	1320 lm	1840 lm	921
2400K YM25	750 lm	1360 lm	1980 lm	924
2700K YK45	890 lm	1625 lm	2300 lm	927
3000K YJ65	890 lm	1625 lm	2410 lm	930
3500K YI45	890 lm	1625 lm	2410 lm	935
4000K YH54	950 lm	1735 lm	2460 lm	940
5000K YF50G	950 lm	1735 lm	2460 lm	950
6000K YC84	995 lm	1825 lm	2450 lm	960

Custom binning Yxxx  
 (See binning selection)

**IP Rating**

IP 20  
 IP 67 TUBE  
 Custom (IP20 or IP65)

**Dimming**

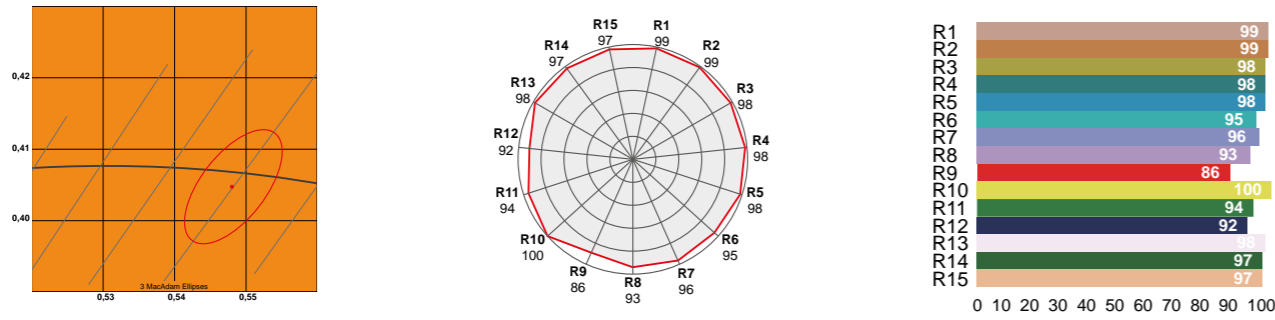
No dimming  
 Dali  
 Dmx  
 Dimming I to 10VDC  
 Phase dimming digital

IP20  
 IP67

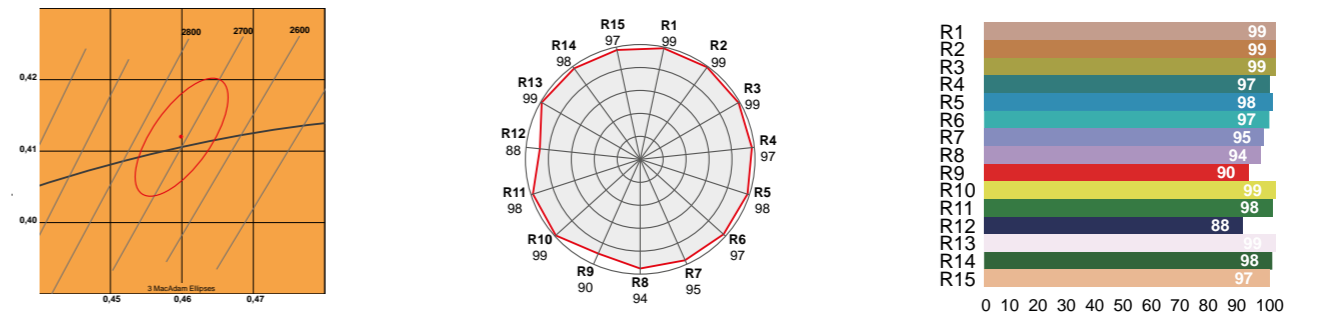
HF  
 DALI  
 DMX  
 D10  
 PHA



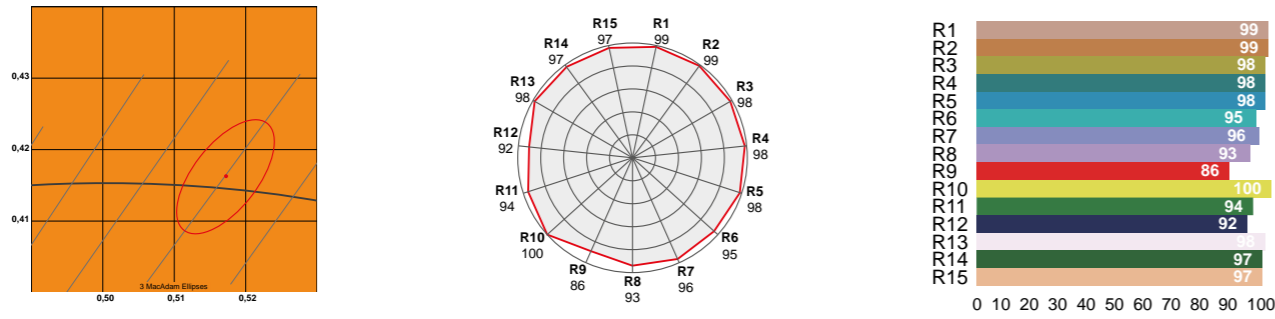
1800K | YP35 |  $x = 0,547$   $y = 0,405$  | Ra 97 | R9 87| CQS 97



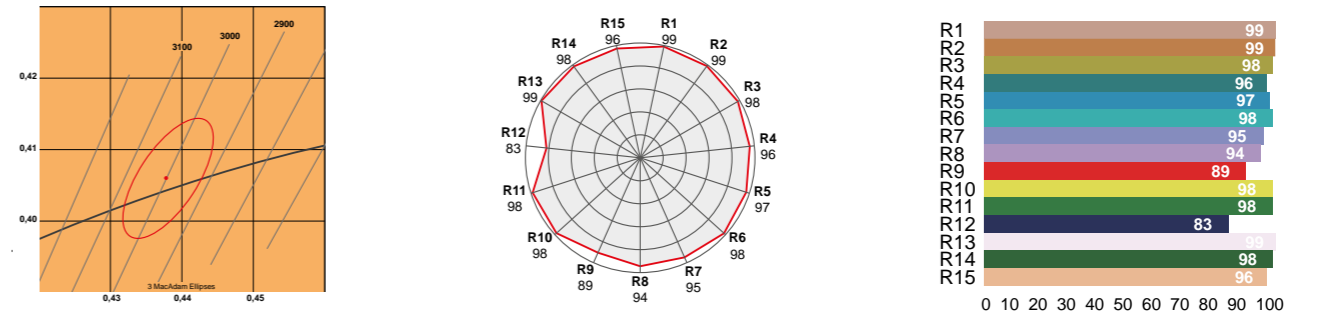
2700K | YK45 |  $x = 0,460$   $y = 0,412$  | Ra 98 | R9 90| CQS 94



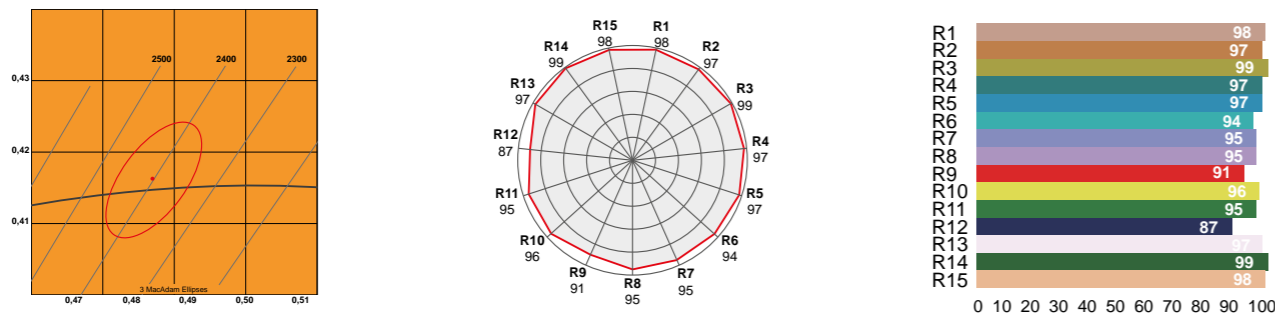
2100K | YN35 |  $x = 0,516$   $y = 0,414$  | Ra 97 | R9 87| CQS 97



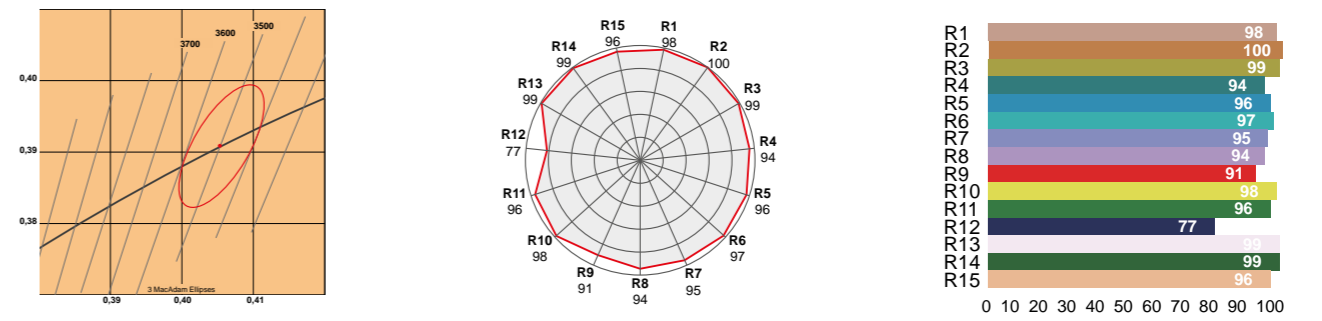
3000K | YJ65 |  $x = 0,438$   $y = 0,406$  | Ra 97 | R9 90| CQS 94



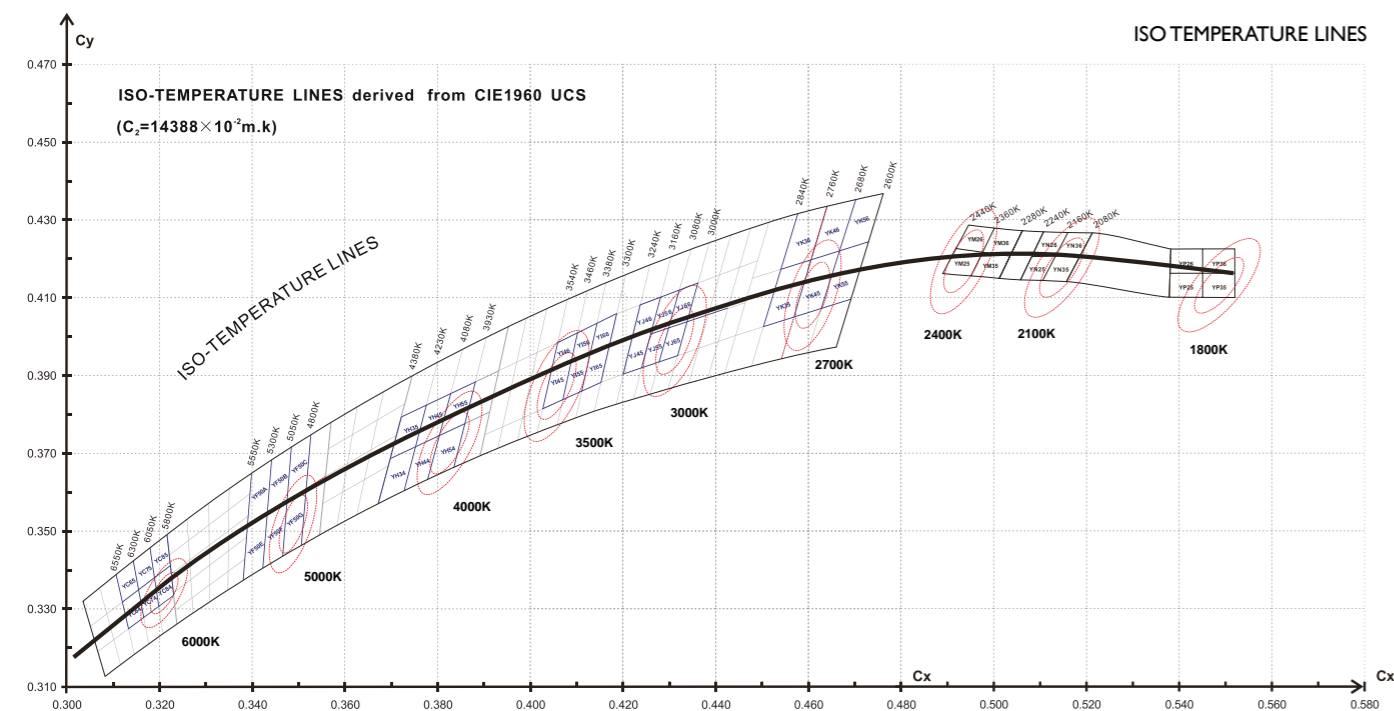
2400K | YM25 |  $x = 0,487$   $y = 0,416$  | Ra 96 | R9 91| CQS 95



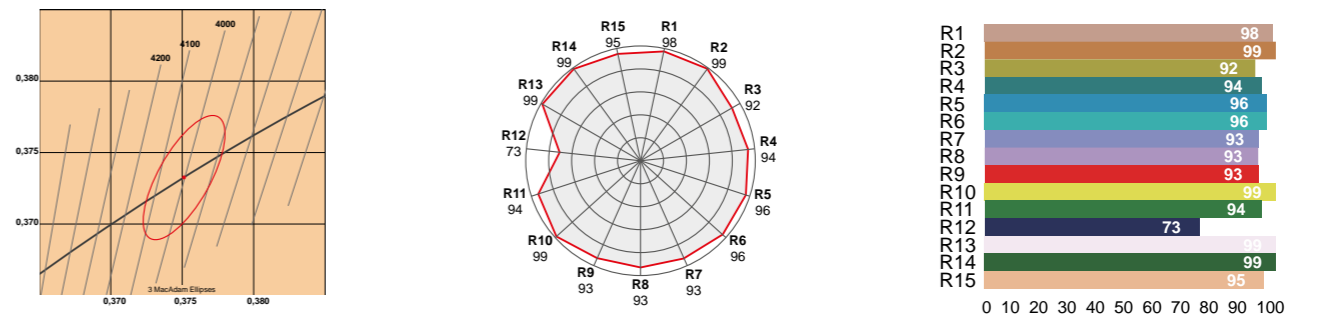
3500K | YI45 |  $x = 0,405$   $y = 0,391$  | Ra 97 | R9 91| CQS 94



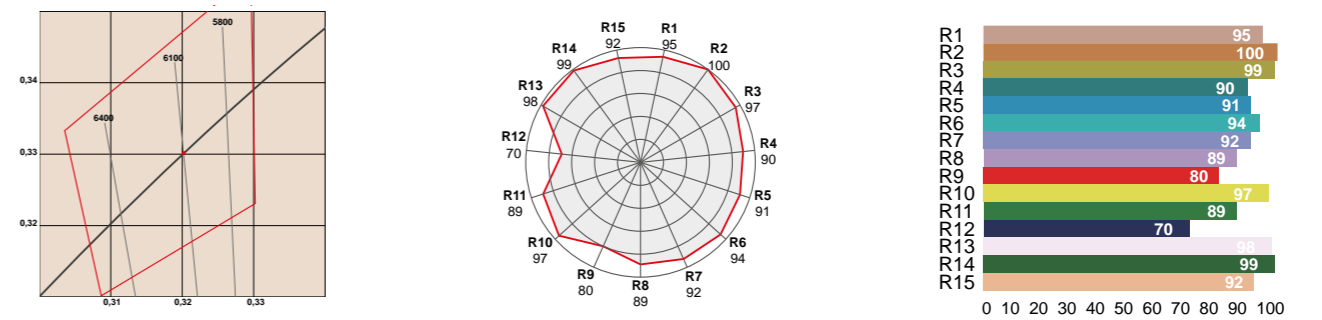
BINNING SELECTION FOR CUSTOM STRIP



4000K | YH54 |  $x = 0,380$   $y = 0,377$  | Ra 96 | R9 93| CQS 93



6000K | YC84 |  $x = 0,320$   $y = 0,320$  | Ra 94 | R9 80| CQS 90 | ANSI C78.377A



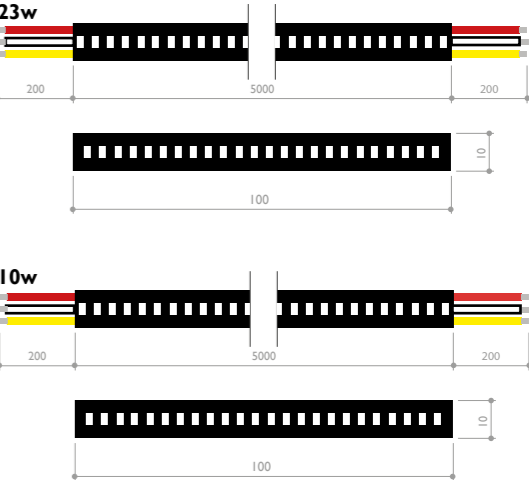
# DYNAMIC WHITE

Tunable white led flex strip between 1800K & 6000K  
 Ruban led à blanc réglable de 1800K à 6000K

A4102



<b>Indice de Rendu de Couleur IRC Color Rendering CRI</b> 98 (+/-2)
<b>Temperature de couleur Color CCT</b> 1800K - 2100K - 2400K - 2700K - 3000K - 3500K - 4000K - 5000K - 6000K
<b>Rendement Luminous Efficacy</b> 90 lm/w - 110 lm/w
<b>Puissance &amp; nombre de led Power &amp; number of Led</b> 23 w/m & 120 led/m   10 w/m & 120 leds/m
<b>Coupe Cut</b> 100 mm
<b>Dimensions Dimensions</b> 5000 mm x 10 mm x 2 mm
<b>Température d'utilisation Ambient temp.</b> - 10°C / + 40°C
<b>Tension d'alimentation Input voltage</b> 2 x 24Vdc



**A4102.23.120.924.960.IP20.DALI**

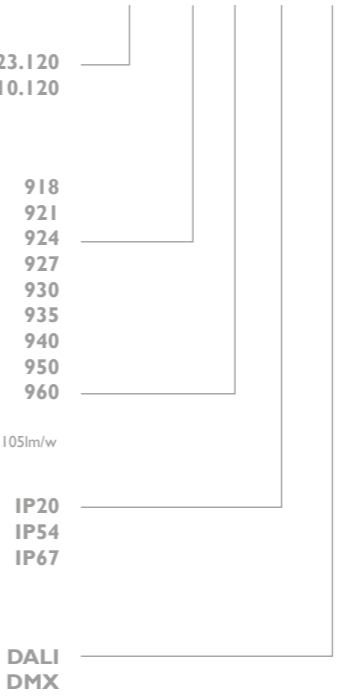
**Power & number led/m**  
 23 w/m & 120 led/m  
 10 w/m & 120 led/m  
 Custom (5 to 15W)

Led Color	flux 10 w/m	23 w/m	
1800K YP35	325 lm	850 lm	918
2100K YN35	360 lm	950 lm	921
2400K YM25	375 lm	985 lm	924
2700K YK45	445 lm	1170 lm	927
3000K YJ65	445 lm	1170 lm	930
3500K YI45	445 lm	1170 lm	935
4000K YH54	475 lm	1250 lm	940
5000K YF50G	475 lm	1250 lm	950
6000K YC84	498 lm	1300 lm	960

For example : 2700K+4000K 23w/m = 1170lm + 1250lm = 2420 lm 105lm/w

**IP Rating**  
 IP 20  
 IP 54  
 IP 67 TUBE  
 Custom (IP20 or IP65)

**Dimming**  
 Dali  
 Dmx



# 3D

3D led strip - 90 to 180 angle bend application  
Ruban led 3D pour applications courbes

A4103



Indice de Rendu de Couleur IRC Color Rendering CRI  
98 (+/-2)

Température de couleur Color CCT  
1800K - 2100K - 2400K - 2700K - 3000K - 3500K - 4000K - 5000K - 6000K

Rendement Luminous Efficacy  
60 lm/w - 90 lm/w

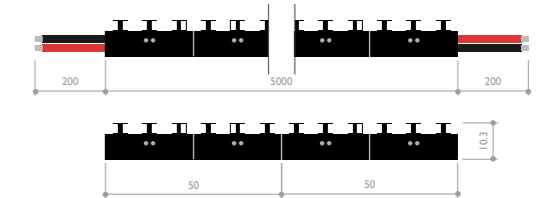
Puissance & nombre de led Power & number of Led  
10 w/m & 120 leds/m

Coupe Cut  
50 mm

Dimensions Dimensions  
5000 mm x 12 mm x 6 mm

Température d'utilisation Ambient temp.  
- 10°C / + 40°C

Tension d'alimentation Input voltage  
24Vdc



### A4103.10.120.924.IP67.DALI

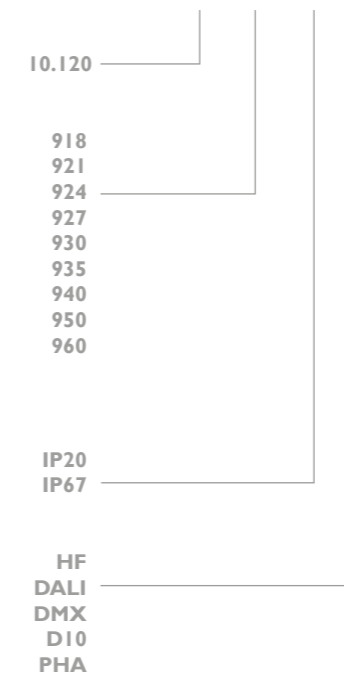
Power & number led/m  
10 w/m & 120 led/m

Led Color	flux lm/m	
1800K YP35	490 lm	918
2100K YN35	540 lm	921
2400K YM25	560 lm	924
2700K YK45	645 lm	927
3000K YJ65	645 lm	930
3500K YI45	645 lm	935
4000K YH54	710 lm	940
5000K YF50G	710 lm	950
6000K YC84	750 lm	960

Custom binning Yxxx  
(See binning selection)

IP Rating  
IP 20  
IP 67 TUBE

Dimming  
No dimming  
Dali  
Dmx  
Dimming I to 10VDC  
Phase dimming digital



# SNAKE

Angle bendable ledstrip for custom shape lighting applications  
 Ruban led à courber dans différentes directions

A4105



Indice de Rendu de Couleur IRC Color Rendering CRI  
 98 (5w) / 93 (12w)

Température de couleur Color CCT  
 1800K - 2100K - 2400K - 2700K - 3000K - 3500K - 4000K - 5000K - 6000K

Rendement Luminous Efficacy  
 60 lm/w - 90 lm/w

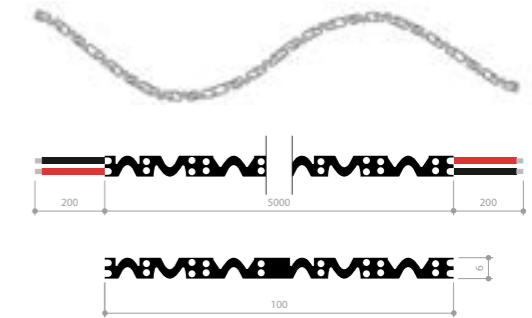
Puissance & nombre de led Power & number of Led  
 5 w/m & 60 leds/m | 12 w/m & 60 leds/m

Coupe Cut  
 100 mm

Dimensions Dimensions  
 5000 mm x 7 mm x 2 mm

Température d'utilisation Ambient temp.  
 - 10°C / + 40°C

Tension d'alimentation Input voltage  
 24Vdc



## A4105.05.60.924.IP20.DALI

Power & number led/m  
 5 w/m & 60 led/m  
 12 w/m & 60 led/m

05.60  
 12.60

Led Color	5w/m	12w/m	
1800K YP35	250 lm	-	918
2100K YN35	270 lm	1050 lm	921
2400K YM25	300 lm	1070 lm	924
2700K YK45	360 lm	1100 lm	927
3000K YJ65	360 lm	1130 lm	930
3500K YI45	360 lm	-	935
4000K YH54	390 lm	1160 lm	940
5000K YF50G	360 lm	-	950
6000K YC84	400 lm	1190 lm	960

Custom binning Yxxx  
 (See binning selection)

IP Rating  
 IP 20

IP20

Dimming  
 No dimming  
 Dali  
 Dmx  
 Dimming 1 to 10VDC  
 Phase dimming digital

HF  
 DALI  
 DMX  
 D10  
 PHA





# SLIM

5mm & 8mm slimstrip with CRI between 93 and 98  
 Ruban 5mm & 8mm avec IRC compris entre 93 et 98  
**A4118 (8mm) | A4110 (5mm)**



**Indice de Rendu de Couleur IRC Color Rendering CRI**  
 98 (+/-2) | 93 (slim5)

**Temperature de couleur Color CCT**  
 1800K - 2100K - 2400K - 2700K - 3000K - 3500K - 4000K - 5000K - 6000K

**Rendement Luminous Efficacy**  
 60 lm/w - 90 lm/w

**Puissance & nombre de led Power & number of Led**  
 10 w/m & 120 leds/m (A4118) | 15 w/m & 180 leds/m (A4110 or A4118)

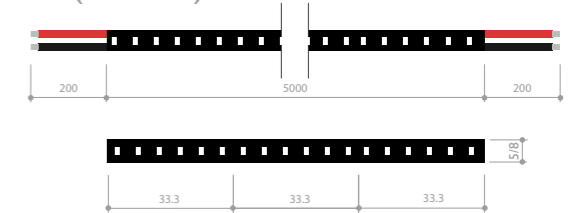
**Coupe Cut**  
 50 mm | 33.3 mm

**Dimensions Dimensions**  
 5000 mm x 8 mm x 2 mm (A4118) | 5000 mm x 5 mm x 2 mm (A4110)

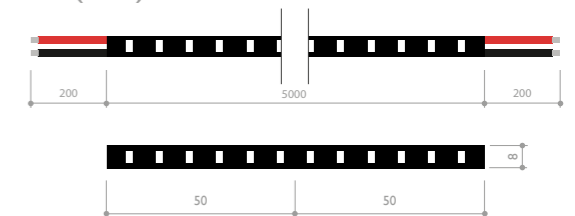
**Température d'utilisation Ambient temp.**  
 - 10°C / + 40°C

**Tension d'alimentation Input voltage**  
 24Vdc

**15w (8mm/5mm)**



**10w (8mm)**



**A4118 or A4110.15.180.924.IP20.DALI**

**Power & number led/m**

15 w/m & 180 led/m	15.180
10 w/m & 180 led/m (A4110 only)	10.120
Custom (5w)	

**Led Color flux 10 w/m 15 w/m**

1800K YP35	720 lm	1080 lm	918
2100K YN35	720 lm	1080 lm	921
2400K YM25	750 lm	1120 lm	924
2700K YK45	890 lm	1330 lm	927
3000K YJ65	890 lm	1330 lm	930
3500K YI45	890 lm	1330 lm	935
4000K YH54	950 lm	1420 lm	940
5000K YF50G	950 lm	1420 lm	950
6000K YC84	995 lm	1490 lm	960

Custom binning Yxxx  
 (See binning selection)

**IP Rating**

IP 20	IP20
IP 54	IP54
IP 67 TUBE	IP67
Custom (IP20 or IP65)	

**Dimming**

No dimming	HF
Dali	DALI
Dmx	DMX

# REGULAR

CRI93 strip with latest LED generation  
 Ruban CRI93 de dernière génération  
 A4109



**Indice de Rendu de Couleur IRC Color Rendering CRI**  
 R9>70 - 93 (+/-2)

**Température de couleur Color CCT**  
 1800K - 2100K - 2400K - 2700K - 3000K - 4000K - 6000K - R - G - B - Y

**Rendement Luminous Efficacy**  
 90 lm/w - 110 lm/w

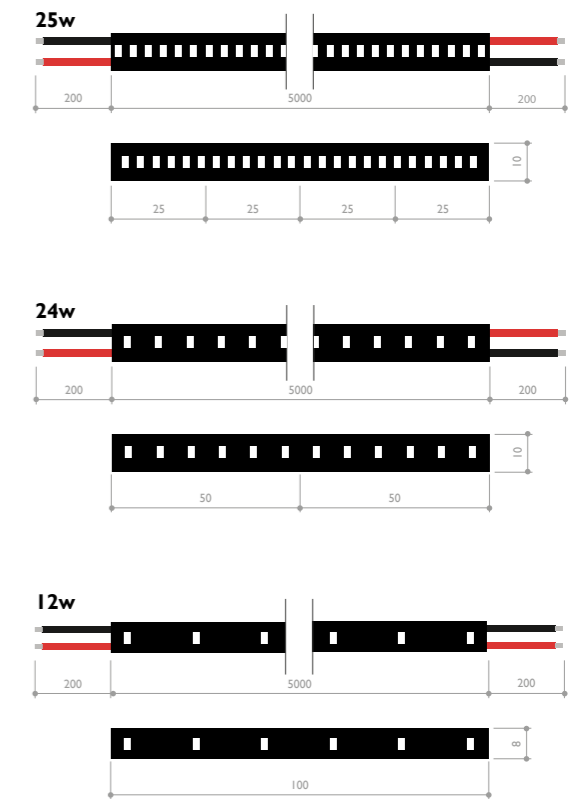
**Puissance & nombre de led Power & number of Led**  
 25 w/m & 240 led/m | 24 w/m & 120 led/m | 12 w/m & 60 leds/m

**Coupe Cut**  
 25 mm (25w) | 50 mm (24w) | 100 mm (12w)

**Dimensions Dimensions**  
 5000 x 10 x 2 mm (25w/24w) | 5000 x 8 x 2 mm (12w)

**Température d'utilisation Ambient temp.**  
 - 10°C / + 40°C

**Tension d'alimentation Input voltage**  
 24Vdc



## A4109.24.120.924.IP20.DALI

**Power & number led/m**

25 w/m & 240 led/m	25.240
24 w/m & 120 led/m	24.120
12 w/m & 60 led/m	12.60

**Led Color**

	12 w/m	24 w/m	25 w/m	
1800K	1030 lm	2060 lm	2110 lm	918
2100K	1090 lm	2190 lm	2280 lm	921
2400K	1110 lm	2220 lm	2330 lm	924
2700K	1150 lm	2300 lm	2390 lm	927
3000K	1170 lm	2340 lm	2450 lm	930
4000K	1200 lm	2400 lm	2500 lm	940
6000K	1230 lm	2460 lm	2550 lm	960

**IP Rating**

IP 20	IP20
IP 65 H	IP65

**Dimming**

No dimming	HF
Dali	DALI
Dmx	DMX
Dimming I to 10VDC	D10
Phase dimming digital	PHA

# HIGH EFFICACY

Lineair **cacy 150 lm/w**  
 cacité 150 lm/w  
**A4111**



**Indice de Rendu de Couleur IRC Color Rendering CRI**  
 >82

**Température de couleur Color CCT**  
 2700K - 3000K - 4000K - 6000K

**Rendement Luminous Efficacy**  
 150 lm/w

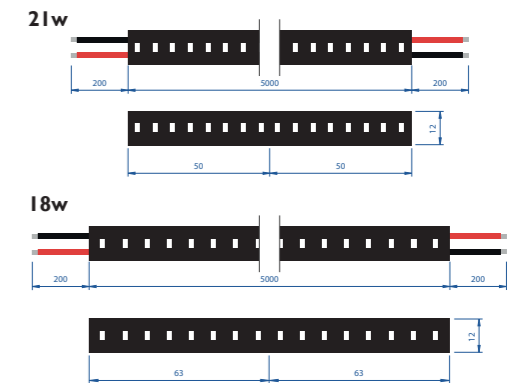
**Puissance & nombre de led Power & number of Led**  
 21 w/m & 160 led/m | 18 w/m & 128 led/m

**Coupe Cut**  
 50 mm (21w) | 62.5 mm (23w)

**Dimensions Dimensions**  
 3000 x 12 x 2 mm (21w) | 5000 x 12 x 2 mm (23w)

**Température d'utilisation Ambient temp.**  
 - 10°C / + 40°C

**Tension d'alimentation Input voltage**  
 24Vdc



## A4111.21.160.830.IP65H.DALI

**Power & number led/m**  
 21 w/m & 160 led/m  
 18 w/m & 128 led/m

21.160  
 18.128

**Led Color flux**

	18 w/m	21w/m	
2700K	2870 lm	3300 lm	827
3000K	2910 lm	3370 lm	830
4000K	3000 lm	3530 lm	840
6000K	3000 lm	3450 lm	860

827  
 830  
 840  
 860

**IP Rating**

IP 20  
 IP 54  
 IP 65H

IP20  
 IP54  
 IP65H

**Dimming**

No dimming  
 Dali  
 Dmx  
 Dimming I to 10VDC  
 Phase dimming digital

HF  
 DALI  
 DMX  
 D10  
 PHA

# ULTRA EFFICACY

Linear strip with ultra efficacy up to 5900lm/m  
and up to 180 lm/w

Lineaire ultra efficacité jusqu'à 5900 lm/m  
& jusqu'à 180 lm/w

A4116



Indice de Rendu de Couleur IRC Color Rendering CRI >80

Température de couleur Color CCT 2700K - 3000K - 4000K - 6000K

@4000K - Rendement Luminous Efficacy 180 lm/w (27 & 33w) | 170 lm/w (18 & 21w)

Puissance & nombre de led Power & number of Led 18 w/m & 128 led/m | 21 w/m & 160 led/m | 27 & 33 w/m & 240 led/m

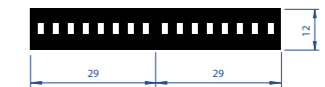
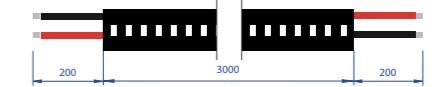
Coupe Cut 29.1 mm (27 & 33w) | 50 mm (21w) | 62.5 mm (18w)

Dimensions Dimensions 5000 x 10 x 2 mm (18 & 21w) | 3000 x 12 x 2 mm (27 & 33w)

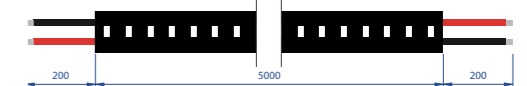
Température d'utilisation Ambient temp. - 10°C / + 40°C

Tension d'alimentation Input voltage 24Vdc

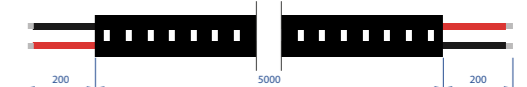
27w & 33w



21w



18w



A4116.33.240.840.IP20.DALI

Power & number led/m

18 w/m & 128 led/m (170lm/w@4000K)	18.128
21 w/m & 160 led/m (170lm/w@4000K)	21.160
27 w/m & 240 led/m (180lm/w@4000K)	27.240
33 w/m & 240 led/m (180lm/w@4000K)	33.240

Led Color 21w/m 27 w/m 33 w/m

2700K	3300 lm	4500 lm	5500 lm	827
3000K	3350 lm	4600 lm	5600 lm	830
4000K	3500 lm	4850 lm	5900 lm	840
6000K	3500 lm	4850 lm	5900 lm	860

IP Rating

IP 20	IP20
IP 54	IP54

Dimming

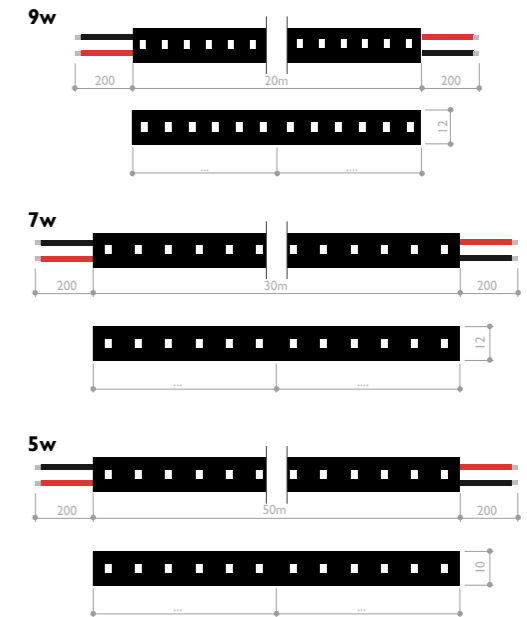
No dimming	HF
Dali	DALI
Dmx	DMX
Dimming I to 10VDC	D10
Phase dimming digital	PHA

# DISTANCE

Linear strip up to 50m by one end powered  
 Lineaire de longueur jusqu'à 50m avec alimentation à une extrémité  
**A4121**



<b>Indice de Rendu de Couleur IRC Color Rendering CRI</b>	80 / 90
<b>Température de couleur Color CCT</b>	2700K - 3000K - 4000K - 6000K
<b>Rendement Luminous Efficacy</b>	100 lm/w (irc80 @ 4000K)
<b>Puissance &amp; nombre de led Power &amp; number of Led</b>	5 w/m & 78 led/m   7 w/m & 90 led/m   9 w/m & 60 led/m
<b>Coupe Cut</b>	
<b>Dimensions Dimensions</b>	50m x 10x2mm (5w 48v)   30m x 12x2mm (7w 36v)   20m x 12x2mm (9w 24v)
<b>Température d'utilisation Ambient temp.</b>	- 20°C / + 40°
<b>Tension d'alimentation Input voltage 50mm</b>	24v (9w)   36v (7w)   48v (5w)



## A4121.05.78.830.IP20.DALI

<b>Power &amp; number led/m</b>	
9 w/m & 60 led/m (20m)	09.60
7 w/m & 90 led/m (30m)	07.90
5 w/m & 78 led/m (50m)	05.78

<b>Color</b>	9 w/m	7 w/m	5 w/m	
2700K	620 lm	550 lm	450 lm	827
3000K	670 lm	620 lm	450 lm	830
4000K	840 lm	720 lm	510 lm	840
6000K	840 lm	750 lm	510 lm	860

<b>IP Rating</b>	
IP 20	IP20
IP 67 T	IP67

<b>Dimming</b>	
No dimming	HF
Dali	DALI
Dmx	DMX
Dimming 1 to 10VDC	D10
Phase dimming digital	PHA

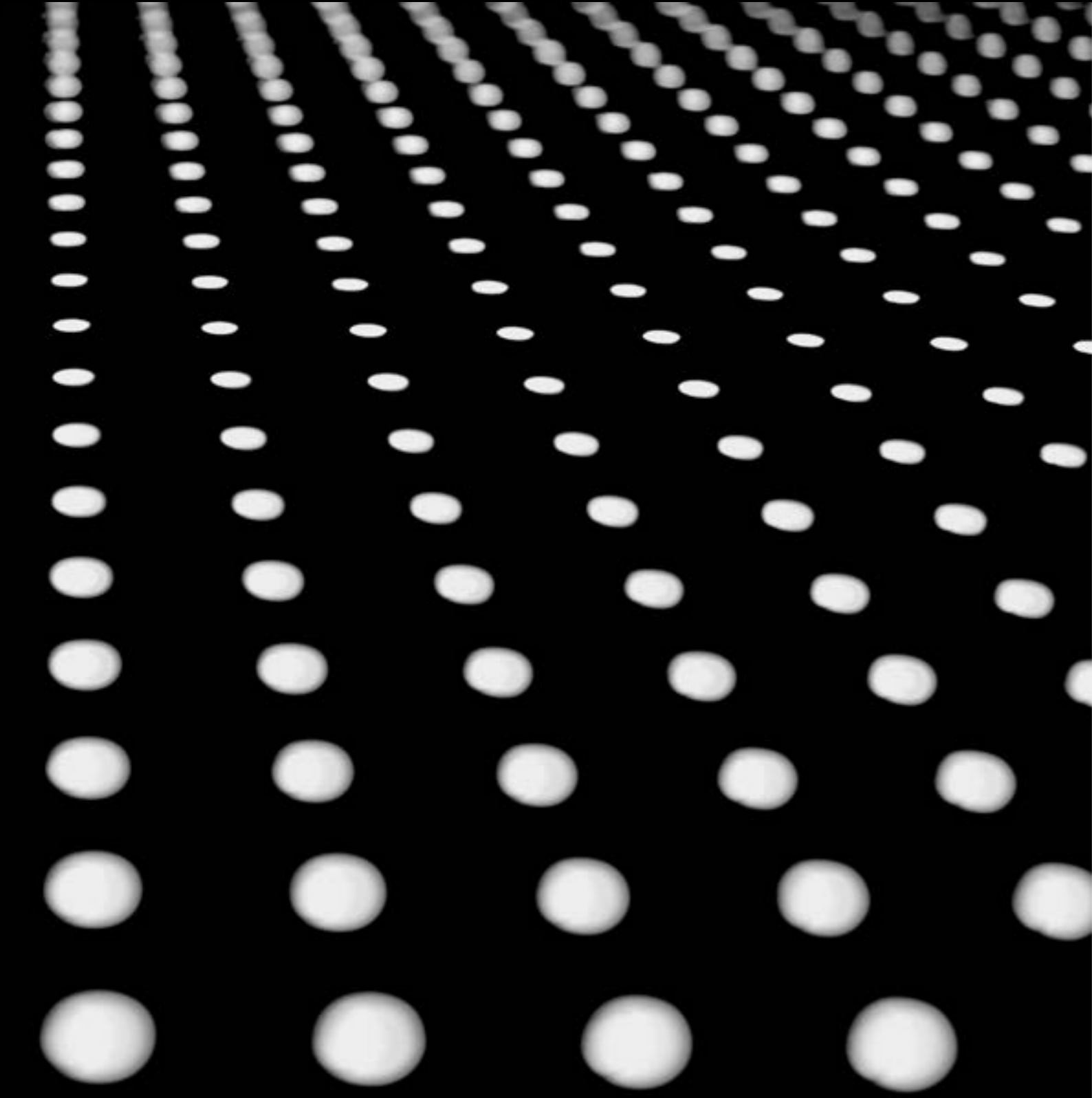
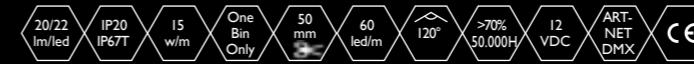


# PIXEL

DIGITAL SPI strip with latest LED generation

Ruban SPI DIGITAL de dernière génération

A4119



Indice de Rendu de Couleur IRC **Color Rendering CRI**  
82 (+/-2)

Température de couleur **Color CCT**  
2700K - 3000K - 4000K - 6000K - R - G - B

Rendement **Luminous Efficiency**  
90 lm/w

Puissance & nombre de led **Power & number of Led**  
15 w/m & 60 leds/m

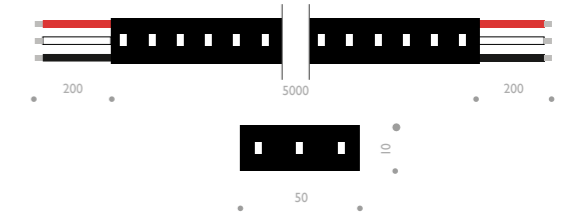
Coupe **Cut**  
50 mm

Dimensions **Dimensions**  
5000 x 10 x 2 mm

Température d'utilisation **Ambiant temp.**  
- 5°C / + 40°C

SPI protocol **SPI Protocol**  
WS2811

Tension d'alimentation **Input voltage**  
12Vdc



### A4119.15.60.830.IP20.SPI

**Power & number led/m**  
15 w/m & 60 led/m

**Led Color**

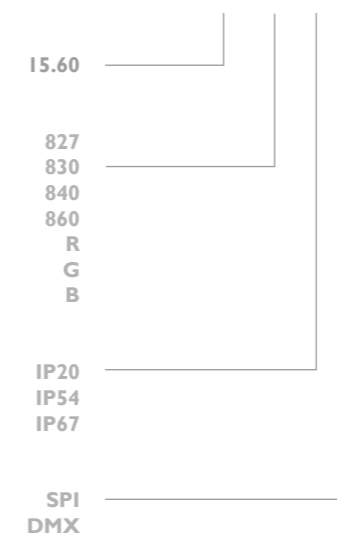
2700K 980 lm 827  
3000K 1110 lm 830  
4000K 1260 lm 840  
6000K 1260 lm 860  
Red R  
Green G  
Blue B

**IP Rating**

IP 20  
IP 54  
IP 67 T

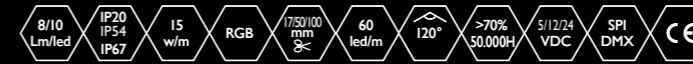
**Dimming**

Arnet SPI  
Dmx



# PIXEL RGB

RGB DIGITAL strip with latest Monochip LED generation  
 Ruban monochip RGB DIGITAL de dernière génération  
**A4120**



**Couleur Color**  
 ■ R 620/625 nm | ■ G 520/525 nm | ■ B 465/470 nm

**Puissance lumineuse Luminous output**  
 8/10 lm/led

**Puissance & nombre de led Power & number of Led**  
 18 w/m & 60 leds/m (5v) | 15 w/m & 60 leds/m (12v & 24v)

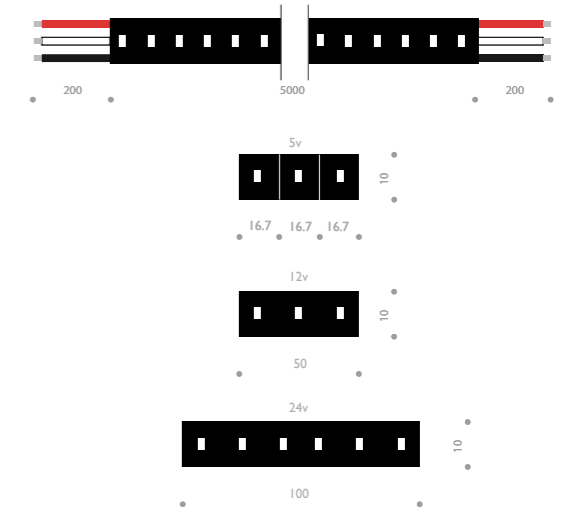
**Coupe et taille du pixel Cut & Size of pixel**  
 16.7 mm (5v) | 50mm (12v) | 100mm (24v)

**Protocol SPI SPI protocol**  
 SK6812 (5v) | UCS1903 (12v & 24v)

**Dimensions Dimensions**  
 5000 x 10 x 2 mm

**Température d'utilisation Ambient temp.**  
 - 10°C / + 40°C

**Tension d'alimentation Input voltage**  
 Vdc 5v / 12v / 24v

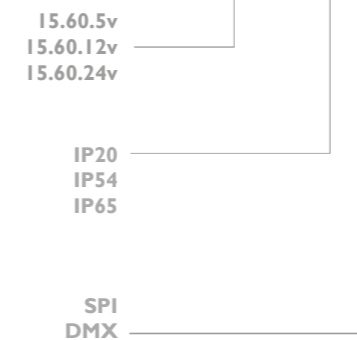


**Power & number led/m**  
 18 w/m & 60 led/m & 5v  
 15 w/m & 60 led/m & 12v  
 18 w/m & 60 led/m & 24v

**IP Rating**  
 IP 20  
 IP 54  
 IP 65H

**Dimming**  
 Artnet  
 SPI  
 Dmx

**A4120.15.60.12v.IP20.DMX**



# RGB

RGB strip with latest Monochip LED generation  
Ruban monochip RGB de dernière génération

A4106



**Couleur Color**  
■ R 620/625 nm | ■ G 520/525 nm | ■ B 465/470 nm

**Puissance lumineuse Luminous output**  
8/10 lm/led

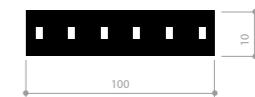
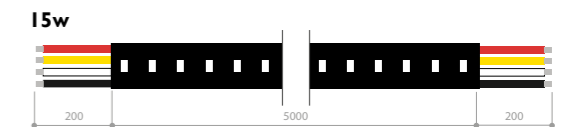
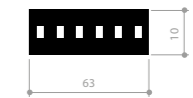
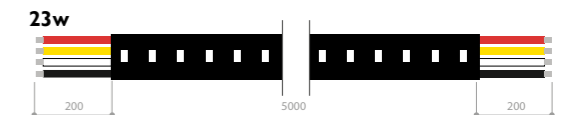
**Puissance & nombre de led Power & number of Led**  
23 w/m & 96 leds/m | 15 w/m & 60 leds/m

**Coupe Cut**  
62.5 mm (23w) | 100 mm (15w)

**Dimensions Dimensions**  
5000 x 10 x 2 mm

**Température d'utilisation Ambient temp.**  
- 10°C / + 40°C

**Tension d'alimentation Input voltage**  
3x24Vdc



A4106.23.96.IP20.DALI

**Power & number led/m**  
23 w/m & 96 led/m  
15 w/m & 60 led/m

23.96  
15.60

**IP Rating**  
IP 20  
IP 54  
IP 65 R

IP20  
IP54  
IP65

**Dimming**  
Dali  
Dmx  
Dimming I to 10VDC

DALI  
DMX  
DI0



# RGB+W

RGB+W strip with latest RGB LED generation  
 Ruban RGB+W de dernière génération  
 A4107



**Couleurs RGB RGB Colors**  
 ■ R 620/625 nm | ■ G 520/525 nm | ■ B 465/470 nm

**Température de couleur White CCT**  
 □ 2100K - 2400K - 2700K - 3000K - 4000K - 6100K

**Indice de Rendu de Couleur IRC White Color Rendering CRI**  
 94 (+/-2)

**Puissance lumineuse Luminous output**  
 1210 lm/m (W40) | 480 lm/m (RGB)

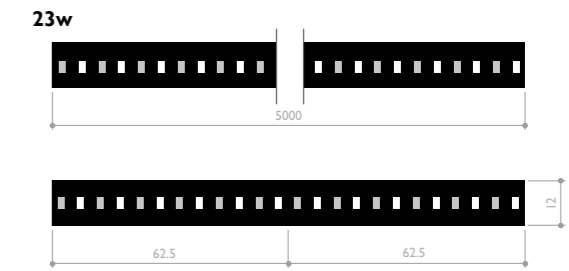
**Puissance & nombre de led Power & number of Led**  
 23 w/m & 2x96 leds/m

**Coupe Cut**  
 62.5 mm (8 leds W + 8 leds RGB)

**Dimensions Dimensions**  
 5000 x 12 x 2 mm

**Température d'utilisation Ambient temp.**  
 - 10°C / + 40°C

**Tension d'alimentation Input voltage**  
 4x24 Vdc



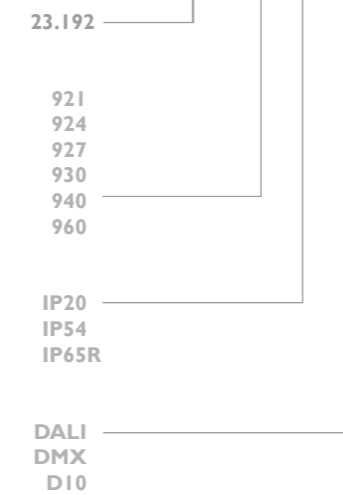
## A4107.23.192.940.IP20.DALI

**Power & number led/m**  
 23 w/m & 2x96 led/m

Led Color	White output
2100K	915 lm
2400K	955 lm
2700K	1130 lm
3000K	1130 lm
4000K	1210 lm
6000K	1260 lm

**IP Rating**  
 IP 20  
 IP 54  
 IP 65 R

**Dimming**  
 Dali  
 Dmx  
 Dimming 1 to 10VDC



# RGB2W

RGB2W strip with latest Monochip LED generation  
 Ruban RGB2W monochip de dernière génération  
 A4117



**Couleurs RGB RGB Colors**  
 ■ R 620/625 nm | ■ G 520/525 nm | ■ B 465/470 nm

**Température de couleur White CCT**  
 □ □ 2700K - 3000K - 4000K - 6100K

**Indice de Rendu de Couleur IRC White Color Rendering CRI**  
 85

**Puissance lumineuse Luminous output**  
 1050/1400 lm/m(WW+CW) | 380/480 lm/m (RGB)

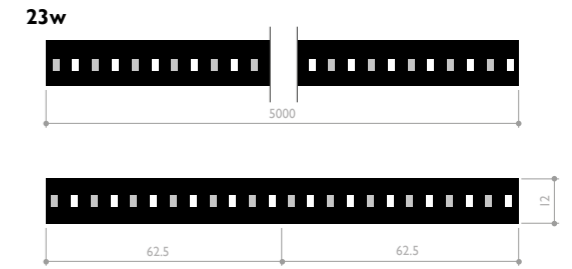
**Puissance & nombre de led Power & number of Led**  
 23 w/m & 96 leds/m

**Coupe Cut**  
 62.5 mm

**Dimensions Dimensions**  
 5000 x 12 x 2 mm

**Température d'utilisation Ambient temp.**  
 - 10°C / + 40°C

**Tension d'alimentation Input voltage**  
 5x24Vdc

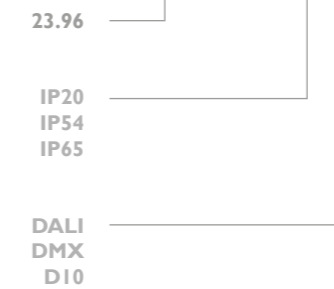


**A4117.23.96.RGB2W.IP20.DALI**

**Power & number led/m**  
 23 w/m & 96 led/m

**IP Rating**  
 IP 20  
 IP 54  
 IP 65 R

**Dimming**  
 Dali  
 Dmx  
 Dimming I to 10VDC







## NEO

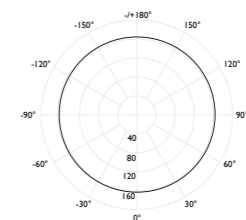
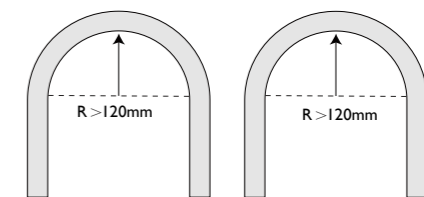
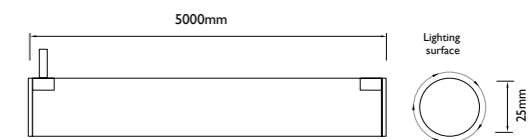
NEO 360	55
NEO 3D	57
NEO TOP	59
NEO TOP DISTANCE	61
NEO TOP 3 SIDES	63
NEO TOP DOME	65
NEO TOP POOL	67
NEO SIDE	69
NEO SIDE SLIM 4	71
NEO SIDE SLIM 6	73
NEO SIDE DISTANCE	75
NEO SIDE POOL	77

# NEO 360

Flexible LED Light Tube, 360° output  
 Tube de lumière LED flexible, sortie à 360°  
 A41 I3.D25



<b>Temperature de couleur CCT</b> 2300K   2700K   3000K   4000K   DW 2300K - 4000K   R / G / B / Y
<b>Precision de couleur &amp; IRC Color consistency &amp; CRI</b> OneBinOnly   82 / 92+
<b>Puissance lumineuse &amp; Angle ouverture Luminous output &amp; Beam angle</b> (@4000K) 950 lm & 360°
<b>Puissance Power</b> 15 w/m (2300K/2700K/3000K/4000K   DW   R/G/B/Y)
<b>Coupe Cutting Pace</b> 500 mm (2300K/2700K/3000K/4000K)
<b>Dimensions &amp; Rayon courbure mini Dimensions &amp; min. bending radius</b> 5000 x D25 mm   > 120 mm
<b>Indices de protection &amp; normes Standards</b> IP65   IK08   LM80   CE   UL Listed Flame resistant - UV resistant - Solvent resistant - Saltwater resistant
<b>Tension alimentation &amp; Classe isolation Input voltage &amp; Class</b> 24Vdc   class III
<b>Température d'utilisation Ambient temperature</b> - 20°C / + 40°C



360° beam angle photometry of 1m



A41 I3.D25.930.IP65.DALI		
<b>CCT &amp; luminous flux</b>		
2300K	850 lm/m	823/923
2700K	950 lm/m	827/927
3000K	950 lm/m	830/930
4000K	950 lm/m	840/940
2300K/4000K	375+375 lm/m	DW
Red	620/630 nm	R
Green	525/530 nm	G
Blue	465/470 nm	B
Yellow	587/592 nm	Y
<b>IP Rating</b>		
IP 65		IP65
<b>Dimming</b>		
No dimming		HF
Dali		DALI
Dmx		DMX
Dimming I to 10VDC		D10
Phase Dimming Digital		PHA

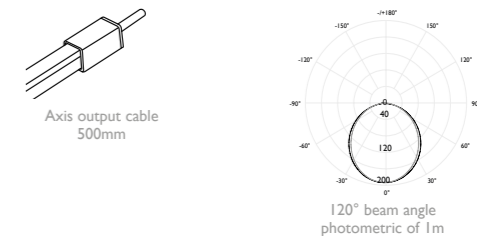
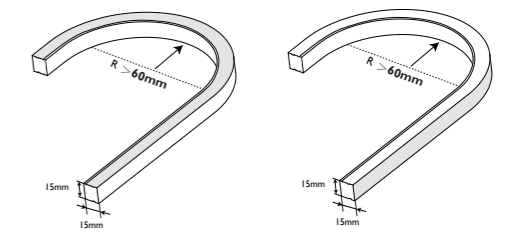
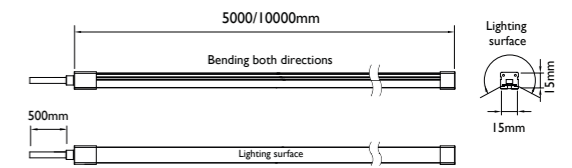


# NEO 3D

Flexible Uniform LED light line bendable both sides  
 Ligne LED professionnelle flexible dans les 2 sens  
**A4113.1515**



<b>Temperature de couleur CCT</b> 2300K - 2800K - 3200K - 4400K   R / G / B / Y
<b>Precision de couleur &amp; IRC Color consistency &amp; CRI</b> OneBinOnly   82 / 92+
<b>Puissance lumineuse &amp; Angle ouverture Luminous output &amp; Beam angle</b> (@3200K) 510 lm & 120°
<b>Puissance Power</b> 8 w/m
<b>Coupe Cutting pace</b> 41.66 mm
<b>Dimensions &amp; Rayon courbure mini Dimensions &amp; min. bending radius</b> 5000 x 15 x 15 mm   > 60 mm
<b>Indices de protection &amp; normes Standards</b> IP67   IK08   LM80   CE   UL Listed Flame resistant - UV resistant - Solvent resistant - Saltwater resistant
<b>Tension alimentation &amp; Classe isolation Input voltage &amp; Class</b> 24Vdc   class III
<b>Température d'utilisation Ambient temperature</b> - 20°C / + 40°C



CCT & luminous flux		A4113.1515.828.IP67.DALI	
2300K	450 lm	823/923	
2800K	510 lm	828/928	
3200K	510 lm	832/932	
4400K	500 lm	844/944	
Red	620/630 nm	R	
Green	525/530 nm	G	
Blue	465/470 nm	B	
Yellow	587/592 nm	Y	
<b>IP Rating</b> IP 67		IP67	
<b>Dimming</b> No dimming Dali Dmx Dimming I to 10VDC Phase dimming digital		HF DALI DMX DI0 PHA	



# NEO TOP

Dot-free flexible LED light line, top bend  
 Ligne LED lumineuse opal flexible sans ponctuation  
 A4114.1312



**Temperature de couleur CCT**  
 2300K - 2700K - 3000K - 4000K | DW 2700/5000K  
 R / G / B / Y | RGB | RGBW | RGBX

**Precision de couleur & IRC Color consistency & CRI**  
 OneBinOnly | 82/92+

**Puissance lumineuse & Angle ouverture Luminous output & Beam angle**  
 (@4000K) 620 lm & 110°

**Puissance Power**  
 11w/m (2300K/2700K/3000K/4000K) | 14w/m (DW)  
 9w/m (R/G/B/Y) | 13w/m (RGB) | 17w/m (RGBW) | 21w/m (RGBX)

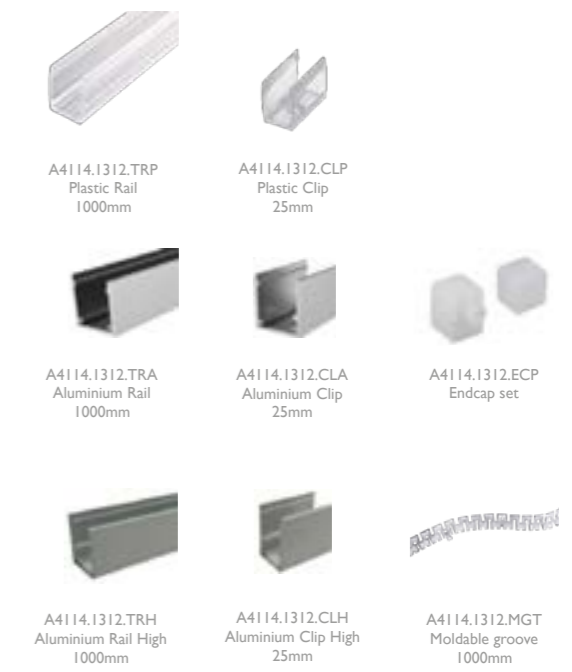
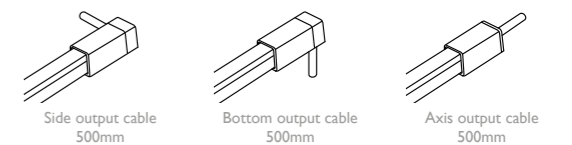
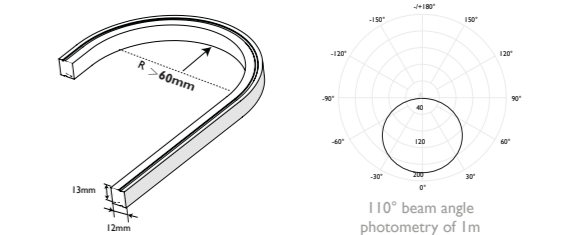
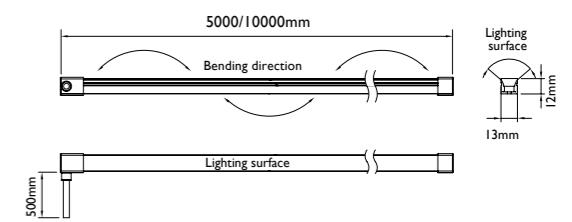
**Coupe Cutting pace**  
 50mm (2300K/2700K/3000K/4000K) | 31.25mm (DW)  
 50mm (R/G/B/Y) | 83mm (RGB) | 62.5mm (RGBW) | 71.43mm (RGBX)

**Dimensions & Rayon courbure mini Dimensions & min. bending radius**  
 (10m possible for W & R/G/B/Y) 5000 x 13 x 12 mm | > 60 mm

**Indices de protection & normes Standards**  
 IP67 | IK08 | LM80 | CE | UL Listed  
 Flame Resistant - UV Resistant - Solvent Resistant - Saltwater Resistant

**Tension alimentation & Classe isolation Input voltage & Class**  
 24Vdc | class III

**Température d'utilisation Ambient temperature**  
 - 20°C / + 40°C



**A4114.1312.DW**

CCT & luminous flux		
2300K	600 lm/m	823/923
2700K	600 lm/m	827/927
3000K	620 lm/m	830/930
4000K	620 lm/m	840/940
2700K/5000K	2x300 lm/m	DW
Red	620/630 nm	R
Green	525/530 nm	G
Blue	465/470 nm	B
Yellow	587/592 nm	Y
RGB		RGB
RGBW 2700K		RGB27
RGBW 3500K		RGB35
RGBW 4500K		RGB45
RGBW 5000K		RGB50
RGBX pixel		RGBX
12 pixels/m and 36 adresses/m		

# NEO TOP DISTANCE

Flexible Uniform LED light line, top bending, up to 50m  
 Ligne lumineuse LED opal flexible, jusqu'à 50m  
**A4114.1515D**



**Temperature de couleur CCT**  
 2300K - 2700K - 3000K - 4000K

**Precision de couleur & IRC Color consistency & CRI**  
 OneBinOnly | 82/92+

**Puissance lumineuse & Angle ouverture Luminous output & Beam angle**  
 (@3200K) 800 lm (10w) | 250 lm (6w) & 110°

**Puissance Power**  
 10w/m | 6w/m

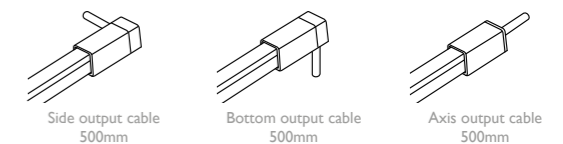
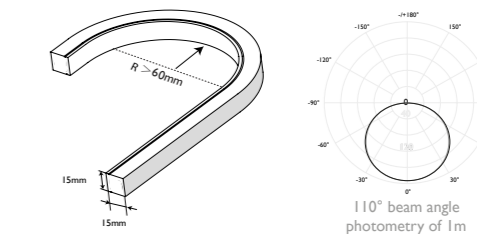
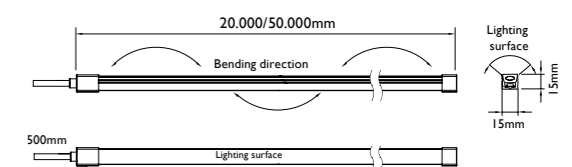
**Coupe Cutting pace**  
 100 mm

**Dimensions & Rayon courbure mini Dimensions & min. bending radius**  
 50000 x 15 x 15 mm (6w/m) | 20000 x 15 x 15 mm (10w/m) | > 60 mm

**Indices de protection & normes Standards**  
 IP67 - IK08 - LM80 - CE - UL Listed  
 Flame resistant - UV resistant - Solvent resistant - Saltwater resistant

**Tension alimentation & Classe isolation Input voltage & Class**  
 48Vdc - class III

**Température d'utilisation Ambient temperature**  
 - 20°C / + 40°C

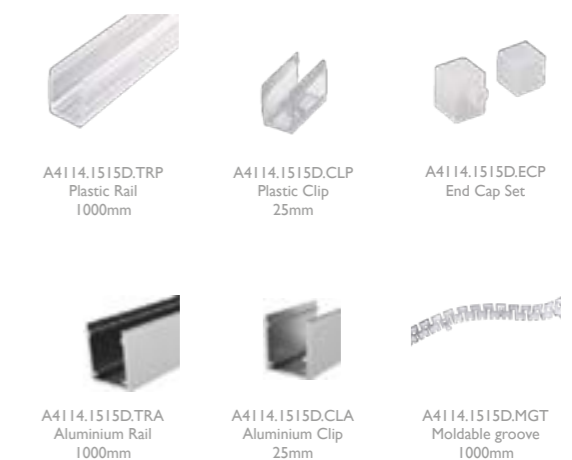


CCT & luminous flux	A4114.1515D.930.IP67.DALI	
	10w/m-20m	6w/m-50m
2300K	280 lm/m	210 lm/m
2700K	330 lm/m	240 lm/m
3000K	350 lm/m	250 lm/m
4000K	350 lm/m	250 lm/m

**IP Rating**  
 IP 67

**Dimming**  
 No dimming  
 Dali  
 Dmx  
 Dimming I to 10VDC  
 Phase dimming digital

**IP67**  
**HF**  
**DALI**  
**DMX**  
**D10**  
**PHA**





# NEO TOP 3 SIDES

Dot-free flexible 3 sides emitting opal line  
Ligne lumineuse opal flexible sur 3 côtés, sans ponctuation  
A4114.1312U



Temperature de couleur CCT  
2300K - 2700K - 3000K - 4000K - 5000K

Precision de couleur & IRC Color consistency & CRI  
OneBinOnly | 82/92+

Puissance lumineuse & Angle ouverture Luminous output & Beam angle  
(@4000K) 800 lm & 210°

Puissance Power  
12w/m

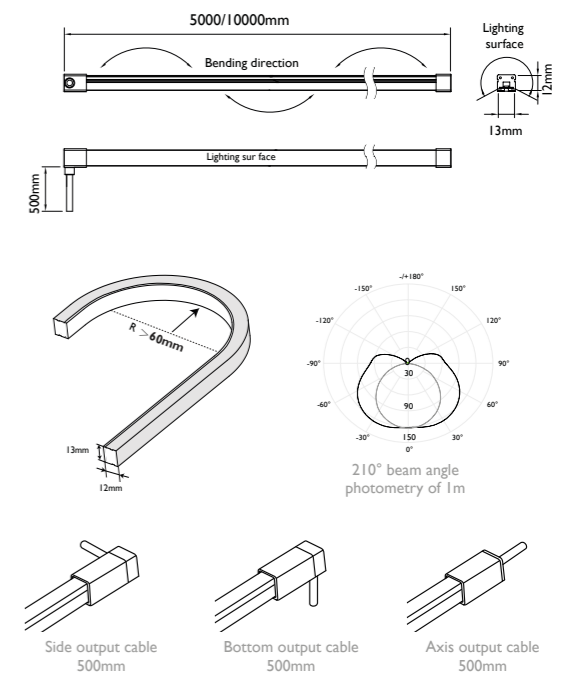
Coupe Cutting pace  
38.50 mm

Dimensions & Rayon courbure mini Dimensions & min. bending radius  
(10m possible) 5000 x 13 x 12 mm | > 60 mm

Indices de protection & normes Standards  
IP67 - IK08 - LM80 - CE - UL Listed  
Flame resistant - UV resistant - Solvent resistant - Saltwater resistant

Tension alimentation & Classe isolation Input voltage & Class  
24Vdc - class III

Température d'utilisation Ambient temperature  
- 20°C / + 40°C



**CCT & luminous flux**

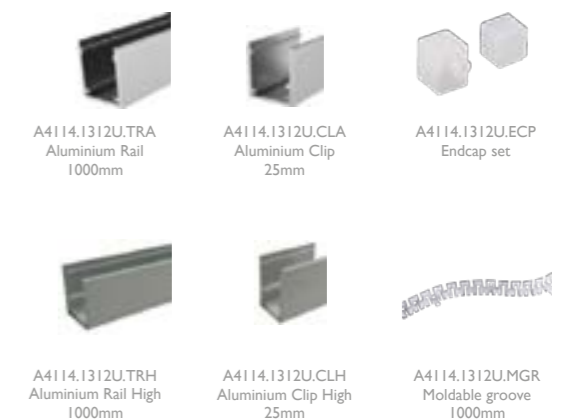
2300K	750 lm/m
2700K	750 lm/m
3000K	800 lm/m
4000K	800 lm/m
5000K	800 lm/m

**IP Rating**  
IP 67

**Dimming**  
No dimming  
Dali  
Dmx  
Dimming I to 10VDC  
Phase dimming digital

**A4114.1312U.930.IP67.DALI**

823/923
827/927
830/930
840/940
850/950
IP67
HF
DALI
DMX
D10
PHA



# NEO TOP DOME

Wide beam 210° flexible light line

Ligne LED flexible faisceau 210°

A4114.1615



Temperature de couleur CCT  
2300K - 2700K - 3000K - 3700K - 5000K | RGB

Precision de couleur & IRC Color consistency & CRI  
OneBinOnly | 82 / 95+

Puissance lumineuse & Angle ouverture Luminous output & Beam angle  
(@4000K) 820 lm & 210°

Puissance Power  
15w/m (RGB) | 12 w/m (W)

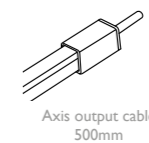
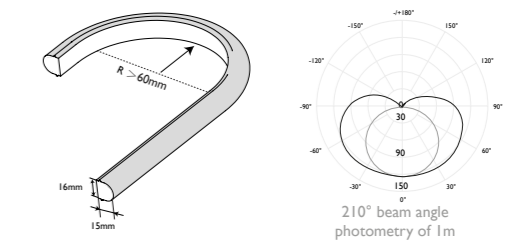
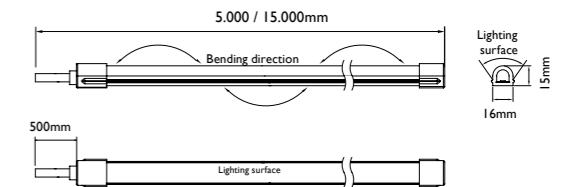
Coupe Cutting pace  
50mm (RGB) | 41.66mm (W)

Dimensions & Rayon courbure mini Dimensions & min. bending radius  
(15m possible) 5000 x 16 x 15 mm | > 60 mm

Indices de protection & normes Standards  
IP67 | IK08 | LM80 | CE | UL Listed  
Flame resistant - UV resistant - Solvent resistant - Saltwater resistant

Tension alimentation & Classe isolation Input voltage & Class  
24 Vdc | class III

Température d'utilisation Ambient temperature  
- 20°C / + 40°C



### CCT and luminous flux

2300K	750 lm/m
2700K	780 lm/m
3000K	800 lm/m
3700K	820 lm/m
5000K	800 lm/m

RGB

IP Rating  
IP 67

### Dimming

No dimming  
Dali  
Dmx  
Dimming I to 10VDC  
Phase dimming digital

### A4114.1615.930.IP67.DALI

823/923
827/927
830/930
837/937
850/950

RGB

IP67

HF

DALI

DMX

D10

PHA



# NEO TOP POOL

Flexible LED Light Line, top bend, suitable for underwater  
 Ligne LED flexible, adaptée à l'immersion  
**A4114.1515P**



**Temperature de couleur CCT**  
 2300K - 2700K - 3000K - 4000K | DW 2300K/4000K  
 R / G / B / Y | RGB

**Precision de couleur & IRC Color consistency & CRI**  
 OneBinOnly | 92

**Puissance lumineuse & Angle ouverture Luminous output & Beam angle**  
 (@4000K) 430 lm (10w) & 110°

**Puissance Power**  
 10w/m (2300K/2700K/3000K/4000K/DW) | 8w/m (R/G/B/Y) | 12w/m (RGB)

**Coupe Cutting pace**  
 50mm (2300K/2700K/3000K/4000K/R/G/B/Y) | 62.5mm (DW) | 80mm (RGB)

**Dimensions & Rayon courbure mini Dimensions & min. bending radius**  
 (10m possible for W & R/G/B/Y) 5000 x 15 x 15 mm | > 60 mm

**Indices de protection & normes Standards**  
 IP68 - IK08 - LM80 - CE - UL Listed  
 Flame resistant - UV resistant - Solvent resistant - Saltwater resistant

**Tension alimentation & Classe isolation Input voltage & Class**  
 24Vdc - class III

**Température d'utilisation Ambient temperature**  
 - 20°C / + 40°C



## A4114.1515P.930.IP68.DALI

### CCT & luminous flux

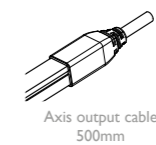
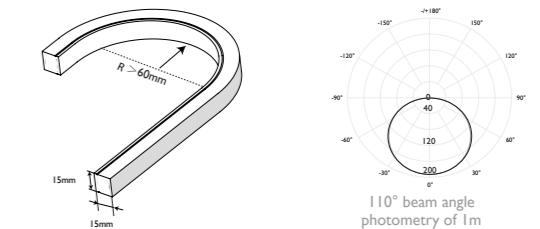
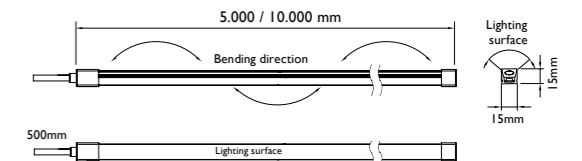
2300K	330 lm/m	923
2700K	400 lm/m	927
3000K	430 lm/m	930
4000K	430 lm/m	940

2300K-4000K 2x190 lm/m DW

Red	620/630 nm	R
Green	525/530 nm	G
Blue	465/470 nm	B
Yellow	587/592 nm	Y
RGB		RGB

**IP Rating**  
 IP 68

No dimming	HF
Dali	DALI
Dmx	DMX
Dimming I to 10VDC	DI0
Phase dimming digital	PHA



# NEO SIDE

Dot free flexible LED light line, side bend  
Ligne lumineuse LED opal flexible latéralement  
A4115.1217



**Temperature de couleur CCT**  
2300K - 2700K - 3000K - 4000K - 6000K | DW 2300/4000K DW | 2700/6000K  
R / G / B / Y | RGB | RGBW | RGBX

**Precision de couleur & IRC Color consistency & CRI**  
OneBinOnly | 82/92+

**Puissance lumineuse & Angle ouverture Luminous output & Beam angle**  
(@4000K) 520 lm & 110°

**Puissance Power**  
10w/m (2300K/2700K/3000K/4000K/6000K) | 12w/m (DW)  
8w/m (R/G/B/Y) | 13w/m (RGB) | 17w/m (RGBW) | 18w/m (RGBX)

**Coupe Cutting pace**  
50mm (2300K/2700K/3000K/4000K/6000K) | 100mm (DW)  
50mm (R/G/B/Y) | 83mm (RGB) | 62.5mm (RGBW) | 71.43mm (RGBX)

**Dimensions & Rayon courbure mini Dimensions & min. bending radius**  
(10m possible for W & R/G/B/Y) 5000 x 12 x 17 mm | > 60 mm

**Indices de protection & normes Standards**  
IP67 | IK08 | LM80 | CE | UL Listed  
Flame Resistant - UV Resistant - Solvent Resistant - Saltwater Resistant

**Tension alimentation & Classe isolation Input voltage & Class**  
24Vdc | class III

**Température d'utilisation Ambient temperature**  
- 20°C / + 40°C



**A4115.1217.930.IP67.DALI**

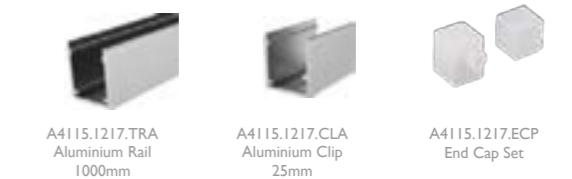
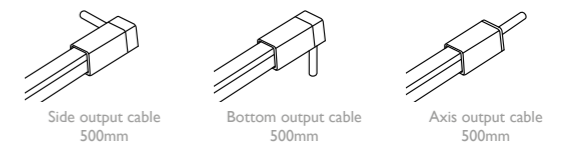
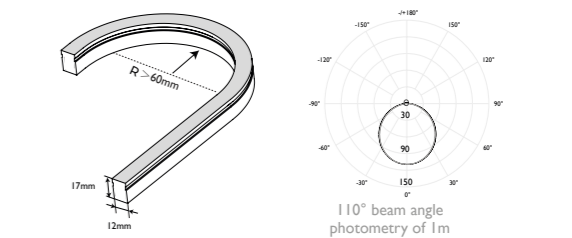
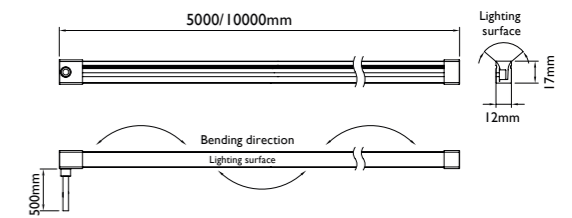
**CCT & luminous flux**

2300K	510 lm/m	823/923
2700K	520 lm/m	827/927
3000K	520 lm/m	830/930
4000K	520 lm/m	840/940
5000K	460 lm/m	850/950

2300K/4000K	2x325 lm/m	DWW
2700K/6000K	2x325 lm/m	DWC

Red	620-630 nm	R
Green	525-530 nm	G
Blue	465-470 nm	B
Yellow	587-592 nm	Y

RGB	RGB
RGBW 2700K	RGB27
RGBW 3000K	RGB30
RGBW 4500K	RGB45
RGBW 5000K	RGB50
RGBX Pixel	RGBX



# NEO SIDE SLIM4

Flexible Uniform LED Light Line, side bend, 4mm  
 Ligne LED Flexible latéralement, largeur 4 mm  
 A4115.0410



Temperature de couleur CCT  
 2300K - 2700K - 3000K - 4000K | DW 2300K/4000K  
 R / G / B / Y

Precision de couleur & IRC Color consistency & CRI  
 OneBinOnly | 92+

Puissance lumineuse & Angle ouverture Luminous output & Beam angle  
 (@4000K) 270 lm & 110°

Puissance Power  
 8w/m

Coupe Cutting pace  
 41.66mm (2300K/2700K/3000K/4000K)  
 31.25mm (DW) | 41.66mm (R/G/B/Y)

Dimensions & Rayon courbure mini Dimensions & min. bending radius  
 5000 x 04 x 10mm | >30mm

Indices de protection & normes Standards  
 IP67 | IK06 | LM80 | CE | UL Listed  
 Flame resistant - UV resistant - Solvent resistant - Saltwater resistant

Tension alimentation & Classe isolation Input voltage & Class  
 24Vdc | class III

Température d'utilisation Ambient temperature  
 - 20°C / + 40°C



A4115.0410.930.IP67.DALI

**CCT & luminous flux**

2300K	240 lm/m	923
2700K	240 lm/m	927
3000K	240 lm/m	930
4000K	270 lm/m	940

2300K/4000K 2x85 lm/m DW

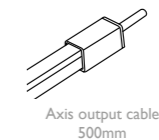
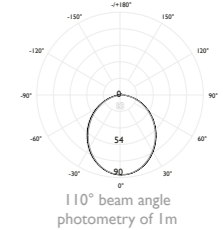
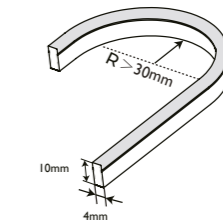
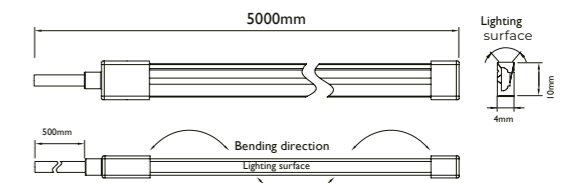
Red	620-630 nm	R
Green	525-530 nm	G
Blue	465-470 nm	B
Yellow	587-592 nm	Y

**IP Rating**

IP67 IP67

**Dimming**

No dimming HF  
 Dali DALI  
 Dmx DMX  
 Dimming I to 10VDC D10  
 Phase dimming digital PHA



# NEO SIDE SLIM6

Flexible Uniform LED Light Line, side bend, 6mm  
 Ligne LED flexible latéralement largeur 6 mm  
 A4115.0612



**Temperature de couleur CCT**  
 2300K - 2700K - 3000K - 4000K | DW 2300K/4000K  
 R / G / B / Y

**Precision de couleur & IRC Color consistency & CRI**  
 OneBinOnly | 92+

**Puissance lumineuse & Angle ouverture Luminous output & Beam angle**  
 (@4000K - 0612) 280 lm & 110°

**Puissance Power**  
 0612 - 10w/m (2300K/2700K/3000K/4000K/DW) 8w/m (R/G/B/Y)  
 0612D - 6w/m (2300K/2700K/3000K/4000K)

**Coupe Cutting pace**  
 50mm (2300K/2700K/3000K/4000K)  
 62.50mm (DW) 50mm (R/G/B/Y)

**Dimensions & Rayon courbure mini Dimensions & min. bending radius**  
 (30m possible for 0612D) 5000 x 06 x 12mm | >30mm

**Indices de protection & normes Standards**  
 IP67 | IK06 | LM80 | CE | UL Listed  
 Flame resistant - UV resistant - Solvent resistant - Saltwater resistant

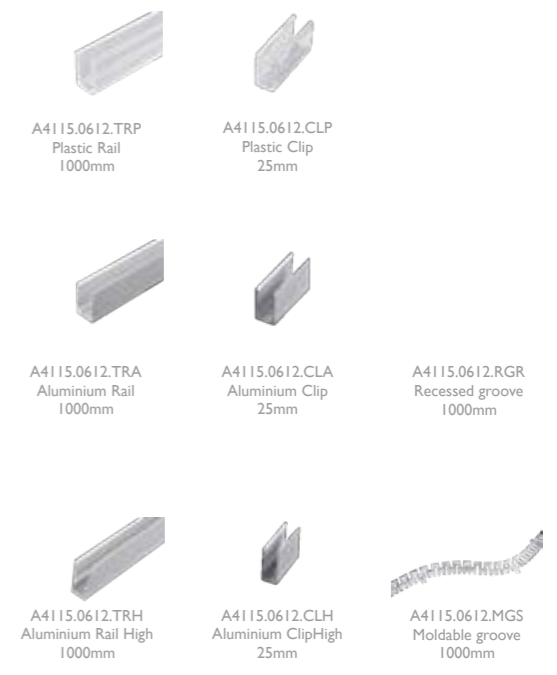
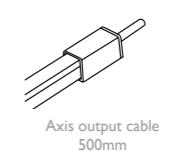
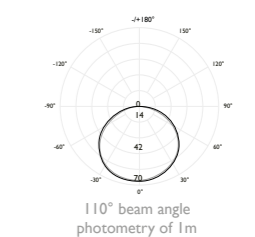
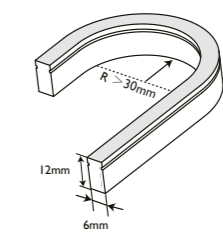
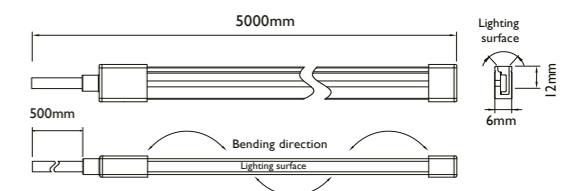
**Tension alimentation & Classe isolation Input voltage & Class**  
 24Vdc (0612) | 48Vdc (0612D) | class III

**Température d'utilisation Ambient temperature**  
 - 20°C / + 40°C



A4115.0612D.930.IP67.DALI

Length	24Vdc	48Vdc	0612
5m	24Vdc		0612
30m	48Vdc distance		0612D
CCT & luminous flux	24vdc	48vdc	
2300K	250 lm/m	150 lm/m	823/923
2700K	280 lm/m	150 lm/m	827/927
3000K	280 lm/m	170 lm/m	830/930
4000K	280 lm/m	190 lm/m	840/940
2300K/4000K	2x140 lm/m		DW
Red	620/630 nm		R
Green	525/530 nm		G
Blue	465/470 nm		B
Yellow	587/592 nm		Y
IP Rating			IP67



# NEO SIDE DISTANCE

Flexible LED Light Line, side bend, 48V, 50m in one run  
 Ligne LED flexible latéralement, 48V, jusqu'à 50m  
 A4115.1217D



**Temperature de couleur CCT**  
 2300K | 2700K | 3000K | 4000K | DW 2300K/4000K | R/G/B | RGB | RGBW

**Precision de couleur & IRC Color consistency & CRI**  
 OneBinOnly | 82/92+

**Puissance lumineuse & Angle ouverture Luminous output & Beam angle**  
 (@4000K) 400 lm (10w/m) | 240 lm (6w/m) & 110°

**Puissance Power**  
 6w/m (2300K/2700K/3000K/4000K)  
 10w/m (2300K/2700K/3000K/4000K | DW | R/G/B | RGB | RGBW)

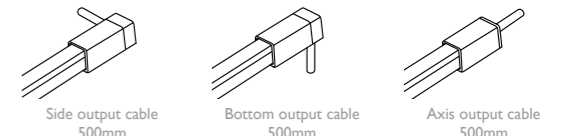
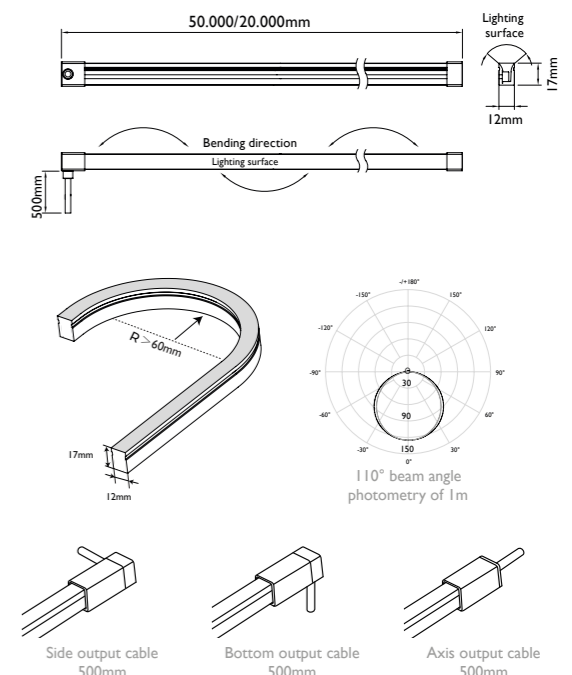
**Coupe Cutting pace**  
 100mm (2300K/2700K/3000K/4000K) | 62.5mm (DW)  
 100mm (R/G/B/Y & RGB) | 125mm (RGBW)

**Dimensions & Rayon min. courbure Dimensions & min. bending radius**  
 50000 x 12 x 17mm (6w/m) | 20000 x 12 x 17mm (10w/m) | >60mm

**Indices de protection & normes Standards**  
 IP67 | IK08 | LM80 | CE | UL Listed  
 Flame resistant - UV resistant - Solvent resistant - Saltwater resistant

**Tension alimentation & Classe isolation Input voltage & Class**  
 48Vdc | class III

**Température d'utilisation Ambient temperature**  
 - 20°C / + 40°C



## A4115.1217D.930.IP67.DALI

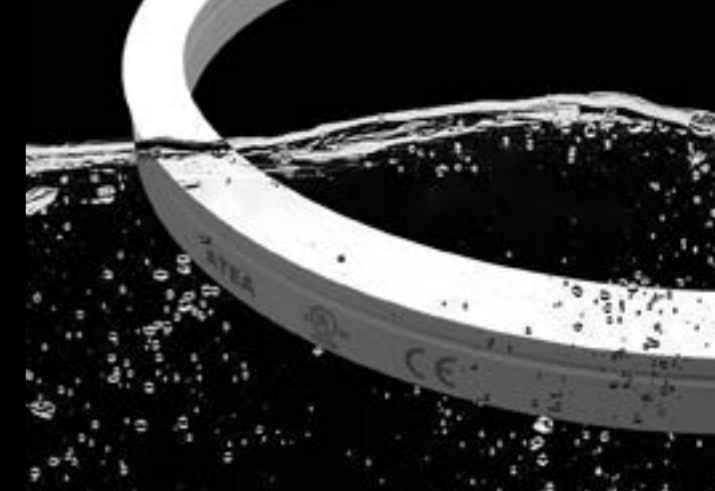
**CCT & luminous flux**

	6w/m-50m	10w/m-20m	
2300K	200 lm/m	340 lm/m	923
2700K	220 lm/m	238 lm/m	927
3000K	220 lm/m	380 lm/m	930
4000K	240 lm/m	400 lm/m	940
2300K/4000K		2x170 lm/m	DW
Red		620/630 nm	R
Green		525/530 nm	G
Blue		465/470 nm	B
RGB			RGB
RGBW 2300K			RGB23
RGBW 2700K			RGB27
RGBW 3000K			RGB30
RGBW 4000K			RGB40
RGBX Pixel			RGBX



# NEO SIDE POOL

Flexible LED Light Line, side bend, suitable for underwater  
 Ligne LED flexible latéralement, adaptée à l'immersion  
**A41 I5.1224P**



**Temperature de couleur CCT**  
 2300K - 2700K - 3200K - 4200K - 5000K  
 R / G / B / Y | RGB

**Precision de couleur & IRC Color consistency & CRI**  
 OneBinOnly | 82 / 92+

**Puissance lumineuse & Angle ouverture Luminous output & Beam angle**  
 (@4200K) 520 lm & 140°

**Puissance Power**  
 10w/m (2300K/2700K/3200K/4200K/5000K)  
 8w/m (R/G/B/Y) | 12w/m (RGB)

**Coupe Cutting pace**  
 50mm (2300K/2700K/3200K/4200K/5000K | R/G/B/Y) | 83mm (RGB)

**Dimensions & Rayon courbure mini Dimensions & min. bending radius**  
 (10 m possible for W & R/G/B/Y) | 5000 x 12 x 24 mm | > 60 mm

**Indices de protection & norme Standards**  
 IP68 | IK08 | LM80 | CE | UL Listed  
 Flame resistant - UV resistant - Solvent resistant - Saltwater resistant

**Tension alimentation & Classe isolation Input voltage & Class**  
 24Vdc | class III

**Température d'utilisation Ambient temperature**  
 - 20°C / + 40°C



## A41 I5.1224P.932.IP68.DALI

### CCT & luminous flux

2300K	510 lm/m	823/923
2700K	520 lm/m	827/927
3200K	520 lm/m	832/932
4200K	520 lm/m	842/942
5000K	490 lm/m	850/950

Red	620/630 nm	R
Green	525/530 nm	G
Blue	465/470 nm	B
Yellow	587/592 nm	Y
RGB		RGB

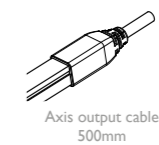
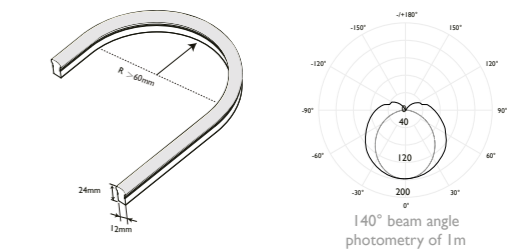
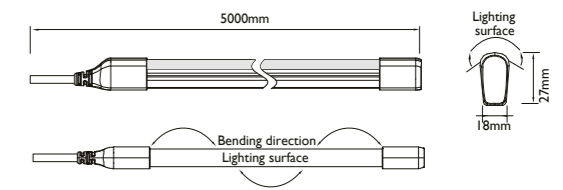
### IP Rating

IP68

### Dimming

No dimming  
 Dali  
 Dmx  
 Dimming I to 10VDC  
 Phase dimming digital

HF  
 DALI  
 DMX  
 D10  
 PHA



A41 I5.1224PTRP  
 Plastic Rail  
 1000mm



A41 I5.1224PCLP  
 Plastic Clip  
 25mm



A41 I5.1224PTRA  
 Aluminium Rail  
 1000mm



A41 I5.1224PCLA  
 Aluminium Clip  
 25mm



A41 I5.1224PTRH  
 Aluminium Rail High  
 1000mm



A41 I4.1224PCLH  
 Aluminium Clip High  
 25mm



A41 I4.1224PMGS  
 Moldable groove  
 1000mm







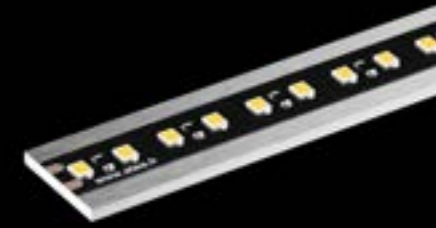
**PROFILES**

FLEX	83	CENTO	106
COVA	85	CENTOT	107
TOTEM XL	86	ASTRO T	109
TOTEM	87	ALPHA T	110
CAMPUS	88	SAXOT	111
CAMPUS HIGH	89	COBET	112
LITTLE	91	SOLO	113
CAMPUS MINI	92	BELINI	114
COBE H MINI	93	BELINI XL	115
ROMULUS MINI	95	TRIO	116
ROMULUS	96	SOFIA	117
ROMULUS XL	97	ANGEL	118
COBE H	98	CORNER	119
TRENTO	99	SOLO XL	121
SINI T	100	STEP UP & STEP DOWN	122
SINI	101	FONDO	123
ALPHA	102	ORION	124
ALPHA XL	103	ODIN	125
SAXO	104	OLYMPE XL	126
OCTO	105	OSCAR	127
		URUS	128

# FLEX

Flexi profile for cove lighting  
 Profil aluminium flexible pour gorge lumineuse

A3953



**Puissance maxi Power max**  
 15 w/m

**Dimensions Dimensions**  
 16 x 2 mm

**Longueur maximale Max.length**  
 2000 mm

**Température d'utilisation Ambient temp.**  
 - 10°C / + 40°



## A3953.C9.IP20.00.DALI

### Type of led

Pure CRI99	A4199	C99
UltraCRI	A4101	CR
Dynamic White	A4102	DW
Regular	A4109	C9
RGB	A4106	RGB
RGB+W	A4107	RGBW
RGB+2W	A4117	RGB2W

### IP Rating

IP20	IP20
IP54	IP54
IP65H	IP65

### Finishes

Aluminium anodised silver	00
Aluminium anodised black	04

### Dimming

No dimming	HF
Dali	DALI
Dmx	DMX
Dimming & to 10Vdc	D10
Phase Dimming Digital	PHD



A3953.04  
 Profile Black



A3953.CLP  
 Clips

Flexible profile with diffusor for cove lighting  
 Profil flexible avec diffuseur pour gorge lumineuse

39108



Puissance maxi **Power max**  
20 w/m

Dimensions **Dimensions**  
13.8 x 2 mm (16 x 8 mm with optic)

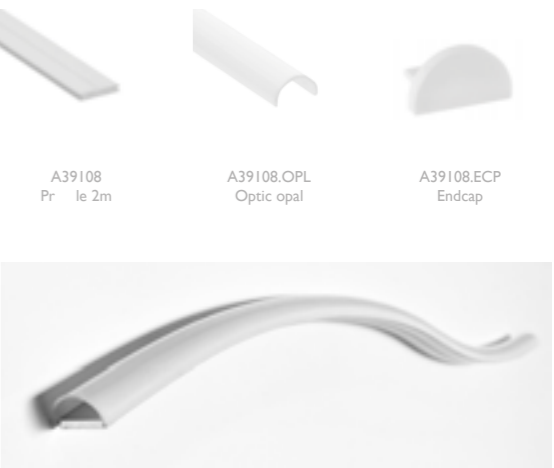
Longueur maximale **Max.length**  
2000 mm

Température d'utilisation **Ambiant temp.**  
-10°C / +40°C



**A39108.C9.IP20.00.OP.DALI**

<b>Type of led</b>		
Pure CRI99	A4199	C99
UltraCRI	A4101	CR
Dynamic White	A4102	DW
Regular	A4109	C9
RGB	A4106	RGB
RGB+W	A4107	RGBW
RGB+2W	A4117	RGB2W
<b>IP Rating</b>		
IP20		IP20
IP54		IP54
IP65H		IP65
<b>Finishes</b>		
Aluminium anodised silver		00
Aluminium anodised black		04
<b>Cover &amp; Optic</b>		
Opal		OP
<b>Dimming</b>		
No dimming		HF
Dali		DALI
Dmx		DMX
Dimming & to 10Vdc		D10
Phase Dimming Digital		PHD



# TOTEM XL

Profile with range of optics  
Profil avec gamme d'optiques

A3950



# TOTEM

Profile with range of optics  
Profil aluminium avec gamme d'optiques

A3952

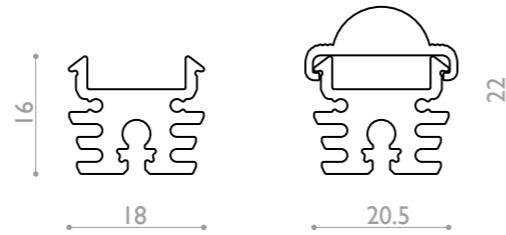


**Puissance maxi Power max**  
40 w/m

**Dimensions Dimensions**  
18 x 16 mm (20.5 x 23 mm with optic)

**Longueur maximale Max.length**  
2000 mm

**Température d'utilisation Ambient temp.**  
- 10°C / + 40°C

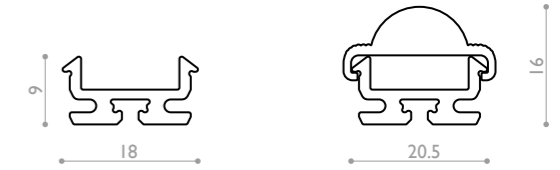


**Puissance maxi Power max**  
24 w/m

**Dimensions Dimensions**  
18 x 16 mm (20.5 x 16 mm with optic)

**Longueur maximale Max.length**  
2000 mm

**Température d'utilisation Ambient temp.**  
- 10°C / + 40°C



## A3950.C9.IP20.00.F30.DALI

<b>Type of led</b>		
Pure CRI99	A4199	C99
UltraCRI	A4101	CR
Dynamic White	A4102	DW
Regular	A4109	C9
RGB	A4106	RGB
RGB+W	A4107	RGBW
RGB+2W	A4117	RGB2W
High Efficacy	A4111	HE
Ultra Efficacy	A4116	UE
<b>IP Rating</b>		
IP20		IP20
IP54		IP54
IP65H		IP65
IP65R Resin		IP65R
<b>Finishes</b>		
Aluminium anodised silver		00
Aluminium anodised black		04
<b>Cover &amp; Optic</b>		
Opal		OP
Frost		FR
Frost 15°		F15
Frost 30°		F30
Frost 60°		F60
Frost 90°		F90
Batwings		BAT
Asymetric 30°		AS30
<b>Dimming</b>		
No dimming		HF
Dali		DALI
Dmx		DMX
Dimming & to 10Vdc		D10
Phase Dimming Digital		PHD



## A3952.C9.IP20.00.F30.DALI

<b>Type of led</b>		
Pure CRI99	A4199	C99
UltraCRI	A4101	CR
Dynamic White	A4102	DW
Regular	A4109	C9
RGB	A4106	RGB
RGB+W	A4107	RGBW
RGB+2W	A4117	RGB2W
High Efficacy	A4111	HE
<b>IP Rating</b>		
IP20		IP20
IP54		IP54
IP65H		IP65
IP65R Resin		IP65R
<b>Finishes</b>		
Aluminium anodised silver		00
Aluminium anodised black		04
<b>Cover &amp; Optic</b>		
Opal		OP
Frost		FR
Frost 15°		F15
Frost 30°		F30
Frost 60°		F60
Frost 90°		F90
Batwings		BAT
Asymetric 30°		AS30
<b>Dimming</b>		
No dimming		HF
Dali		DALI
Dmx		DMX
Dimming & to 10Vdc		D10
Phase Dimming Digital		PHD



# CAMPUS

Profile with optic  
Profil aluminium avec optique

A3960



# CAMPUS HIGH

Profile with optic  
Profil aluminium avec optique

A3961

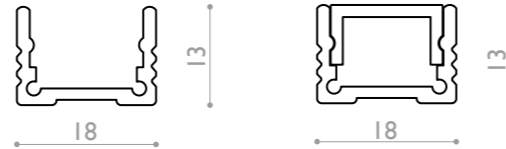


Puissance maxi **Power max**  
24 w/m

Dimensions **Dimensions**  
18 x 13 mm

Longueur maximale **Max.length**  
3000 mm

Température d'utilisation **Ambiant temp.**  
- 10°C / + 40°C

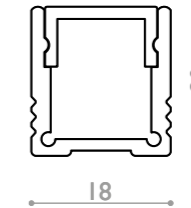


Puissance maxi **Power max**  
30 w/m

Dimensions **Dimensions**  
18 x 20 mm

Longueur maximale **Max.length**  
3000 mm

Température d'utilisation **Ambiant temp.**  
- 10°C / + 40°C



## A3960.C9.IP20.00.OP.DALI

**Type of led**  
Pure CRI99 A4199  
UltraCRI A4101  
Dynamic White A4102  
Regular A4109  
RGB A4106  
RGB+W A4107  
RGB+2W A4117  
High Efficacy A4111

C99  
CR  
DW  
C9  
RGB  
RGBW  
RGB2W  
HE

**IP Rating**  
IP20  
IP54  
IP65H

IP20  
IP54  
IP65

**Finishes**  
Aluminium anodised silver  
Aluminium anodised black  
White ral9016 sat

00  
04  
16

**Cover & Optic**  
Opal  
Frost  
Frost 30°  
Prismatic UGR<19  
Aluminium

OP  
FR  
F30  
PR  
AL

**Dimming**  
No dimming  
Dali  
Dmx  
Dimming & to 10Vdc  
Phase Dimming Digital

HF  
DALI  
DMX  
D10  
PHD



## A3961.C9.IP20.00.OP.DALI

**Type of led**  
Pure CRI99 A4199  
UltraCRI A4101  
Dynamic White A4102  
Regular A4109  
RGB A4106  
RGB+W A4107  
RGB+2W A4117  
High <Efficacy A4111  
Ultra Efficacy A4116

C99  
CR  
DW  
C9  
RGB  
RGBW  
RGB2W  
HE  
UE

**IP Rating**  
IP20  
IP54  
IP65H

IP20  
IP54  
IP65

**Finishes**  
Aluminium anodised silver  
Aluminium anodised black  
White ral9016 sat

00  
04  
16

**Cover & Optic**  
Opal  
Frost  
Prismatic UGR<19  
Aluminium

OP  
FR  
PR  
AL

**Dimming**  
No dimming  
Dali  
Dmx  
Dimming & to 10Vdc  
Phase Dimming Digital

HF  
DALI  
DMX  
D10  
PHD



# LITTLE

Very little profile  
Profil miniature

A39109

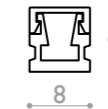


Puissance maxi **Power max**  
18 w/m

Dimensions **Dimensions**  
8 x 8 mm

Longueur maximale **Max.length**  
3000 mm

Température d'utilisation **Ambiant temp.**  
- 10°C / + 40°C



## A39109.S5.IP20.00.OP.DALI

### Type of led (strip 5mm max)

Slim 5mm	A4110	S5
Slim 4mm	A4129	S4
Cob 4mm	A4130	COB4

### IP Rating

IP20	IP20
IP54	IP54

### Finishes

Aluminium anodised silver	00
Aluminium anodised black	04
White ral9016 sat	16

### Cover & Optic

Opal	OP
------	----

### Dimming

No dimming	HF
Dali	DALI
Dmx	DMX
Dimming & to 10Vdc	D10
Phase Dimming Digital	PHD



A39109.00



A39109.OPL  
Diffusor opal



A39109.CLI  
Clips



A39109.CAD  
Clips orientable

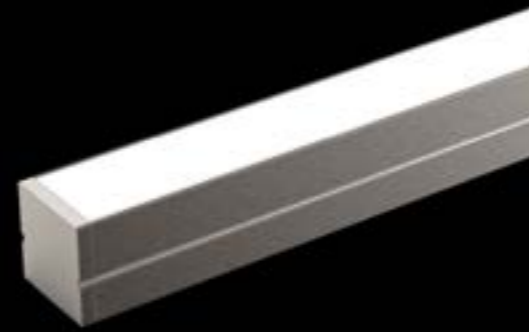


A39109.ECP  
Endcap

# CAMPUS MINI

Mini profile  
Mini profil

A3972



# COBE H MINI

Mini profile with optic  
Mini profil aluminium avec optique

A3968

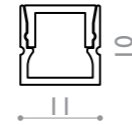


Puissance maxi Power max  
12 w/m

Dimensions Dimensions  
11 x 10 mm

Longueur maximale Max.length  
3000 mm

Température d'utilisation Ambient temp.  
- 10°C / + 40°C

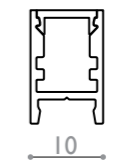


Puissance maxi Power max  
12 w/m

Dimensions Dimensions  
10 x 15 mm

Longueur maximale Max.length  
3000 mm

Température d'utilisation Ambient temp.  
- 10°C / + 40°C



## A3972.C9.IP20.00.OP.DALI

### Type of led (strip 8mm max)

Slim 5 A4110  
CRI92 A4109

### IP Rating

IP20  
IP54  
IP65H

### Finishes

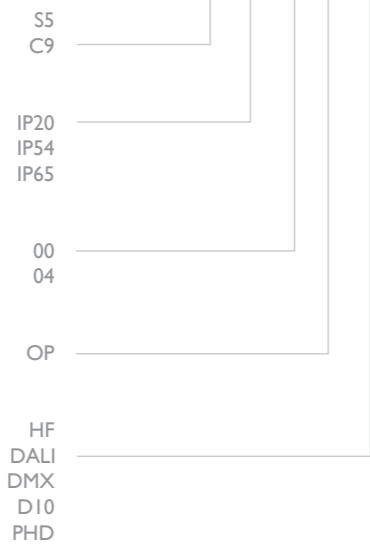
Aluminium anodised silver  
Aluminium anodised black

### Cover & Optic

Opal

### Dimming

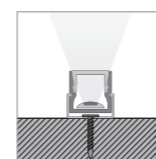
No dimming  
Dali  
Dmx  
Dimming & to 10Vdc  
Phase Dimming Digital



A3972.OP



A3972.247  
Clips



## A3968.C9.IP20.00.OP.DALI

### Type of led (strip 6mm max)

Slim 5 A4110  
CRI92 A4109

### IP Rating

IP20  
IP54  
IP65H

### Finishes

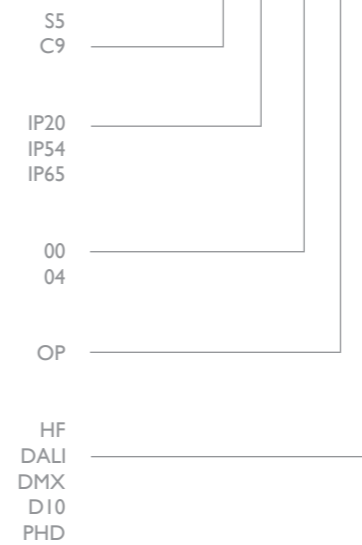
Aluminium anodised silver  
Aluminium anodised black

### Cover & Optic

Opal

### Dimming

No dimming  
Dali  
Dmx  
Dimming & to 10Vdc  
Phase Dimming Digital





# ROMULUS MINI

Profile with IP65 diffusor  
Profil avec diffuseur IP65

A39107



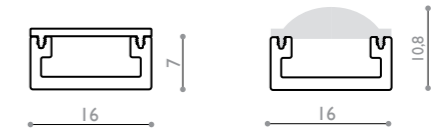
**Puissance maxi Power max**  
24 w/m

**Dimensions Dimensions**  
16 x 8.3 mm (16 x 10.8 mm with 30° optic)

**Longueur maximale Max.length**  
3000 mm

**Fil incandescent Glow wire test**  
Night&Day 650°C - Opal Frost 60° 850°C

**Température d'utilisation Ambient temp.**  
- 10°C / + 40°C



**A39107.C9.IP65.00.OP.DALI**

**Type of led (strip 10mm max)**

CRI99	A4199	C99
UltraCRI	A4101	CR
Dynamic White	A4102	DW
CRI92	A4109	C9
RGB	A4106	RGB
RGBW	A4107	RGBW
RGB2W	A4117	RGB2W
High Efficacy	A4111	HE

**IP Rating**

IP20	IP20
IP54	IP54
IP65H	IP65

**Finishes**

Aluminium anodised silver	00
Aluminium anodised black	04

**Cover & Optic**

Opal	PC	OP
Frost	PC	FR
Optic 30°	PC	F30
Night & Day		ND

**Dimming**

No dimming	HF
Dali	DALI
Dmx	DMX
Dimming & to 10Vdc Phase	D10
Dimming Digital	PHD



A39107.04.ND  
Night & Day



A39107.LP10.3  
Clips



A39107.LP04.2  
Endcap + hole



A39107.OP/FR  
Diffusor IP65 opal/fro



A39107.LP03.2  
Endcap



A39107.LP03.3  
Endcap for optic



A39107.OP/FR  
Diffusor IP65 opal/fro

# ROMULUS

Profile with IP65 diffusor  
Profil avec diffuseur IP65

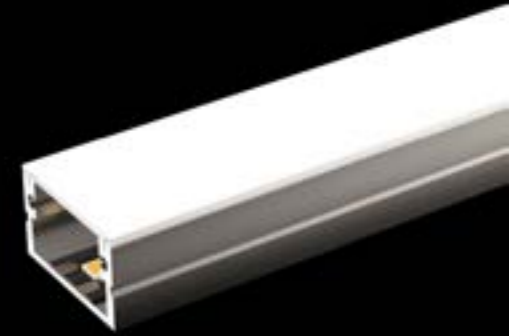
A39105



# ROMULUS XL

Profile with IP65 diffusor  
Profil avec diffuseur IP65

A39104



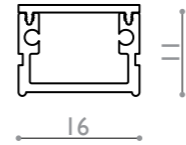
Puissance maxi Power max  
30 w/m

Dimensions Dimensions  
16 x 11 mm (16 x 14.8 mm with 30° optic)

Longueur maximale Max.length  
3000 mm

Fil incandescent Glow wire test  
Night&Day 650°C - Opal Frost 60° 850°C

Température d'utilisation Ambient temp.  
- 10°C / + 40°C



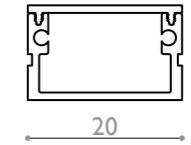
Puissance maxi Power max  
35 w/m

Dimensions Dimensions  
20 x 11 mm

Longueur maximale Max.length  
3000 mm

Fil incandescent Glow wire test  
Night&Day 650°C - Opal Frost 60° 850°C

Température d'utilisation Ambient temp.  
- 10°C / + 40°C



## A39105.C9.IP65.00.OP.DALI

Type of led	
CR199	A4199
UltraCRI	A4101
Dynamic White	A4102
Standard	A4108
CR192	A4109
RGB	A4106
RGBW	A4107
RGB2W	A4117
High Efficiency	A4111
Ultra Efficiency	A4116

IP Rating	
IP20	IP20
IP54	IP54
IP65H	IP65

Finishes	
Aluminium anodised silver	00
Aluminium anodised black	04

Cover & Optic	
Opal	PC
Frost	PC
Frost 30°	PC
Night & Day	ND

Dimming	
No dimming	HF
Dali	DALI
Dmx	DMX
Dimming & to 10Vdc Phase	D10
Dimming Digital	PHD



A39105.LP03.3  
End cap for 30°



A39105.LP03.2  
End cap



A39105.LP10.3  
Clips\*



A39105.00



A39105.LP140  
Clips ressort

## A39104.C9.IP65.00.OP.DALI

Type of led	
CR199	A4199
UltraCRI	A4101
Dynamic White	A4102
Standard	A4108
CR192	A4109
RGB	A4106
RGBW	A4107
RGB2W	A4117
High Efficiency	A4111
Ultra Efficiency	A4116

IP Rating	
IP20	IP20
IP54	IP54
IP65H	IP65

Finishes	
Aluminium anodised silver	00
Aluminium anodised black	04

Cover & Optic	
Opal	PC
Frost	PC
T60°	PC
Night & Day	ND

Dimming	
No dimming	HF
Dali	DALI
Dmx	DMX
Dimming & to 10Vdc Phase	D10
Dimming Digital	PHD



A39104.00



A39104.CLI  
Clips



A39104.OP  
Opal



A39104.SUS  
Suspension



A39104.T60  
Transparent 60°



A39104.ND  
Night & Day

# COBE H

Profile with optic  
Profil aluminium avec optique

A3962



# TRENTO

Profile with optics  
Profil aluminium avec optiques

A3920

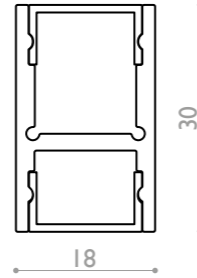


Puissance maxi Power max  
32 w/m

Dimensions Dimensions  
30 x 18 mm

Longueur maximale Max.length  
3000 mm

Température d'utilisation Ambient temp.  
- 10°C / + 40°C

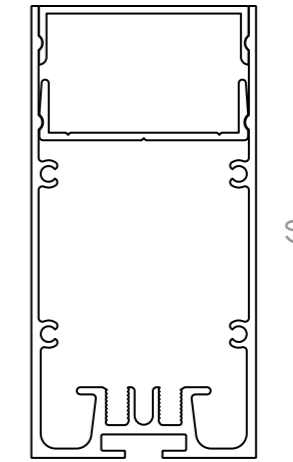


Puissance maxi Power max  
40 w/m

Dimensions Dimensions  
30 x 60 mm

Longueur maximale Max.length  
3000 mm

Température d'utilisation Ambient temp.  
- 10°C / + 40°C



## A3962.C9.IP20.00.OP.DALI

<b>Type of led</b>		
Pure CRI99	A4199	C99
UltraCRI	A4101	CR
Dynamic White	A4102	DW
Regular	A4109	C9
RGB	A4106	RGB
RGB+W	A4107	RGBW
RGB+2W	A4117	RGB2W
High Efficacy	A4111	HE
Ultra Efficacy	A4116	UE
<b>IP Rating</b>		
IP20		IP20
IP54		IP54
IP65H		IP65
IP65R Resin		IP65R
<b>Finishes</b>		
Aluminium anodised silver		00
Aluminium anodised black		04
White ral9016 sat		16
<b>Cover &amp; Optic</b>		
Opal		OP
Frost		FR
Frost 30°		F30
Aluminium		AL
<b>Dimming</b>		
No dimming		HF
Dali		DALI
Dmx		DMX
Dimming & to 10Vdc Phase		D10
Dimming Digital		PHD



A3962.04



A3962.SUS -  
Clips Inox

## A3920.C9.IP20.00.PR.DALI

<b>Type of led</b>		
CR199	A4199	C99
UltraCRI	A4101	CR
Dynamic White	A4102	DW
Standard	A4108	ST
CR192	A4109	C9
RGB	A4106	RGB
RGBW	A4107	RGBW
RGB2W	A4117	RGB2W
High Efficacy	A4111	HE
Ultra Efficacy	A4116	UE
<b>IP Rating</b>		
IP20		IP20
IP54		IP54
IP65H		IP65
<b>Finishes</b>		
Aluminium anodised silver		00
Aluminium anodised black		04
White ral9016 sat		16
<b>Cover &amp; Optic</b>		
Opal		OP
Frost		FR
Prismatic UGR<19		PR
Aluminium		AL
<b>Dimming</b>		
No dimming		HF
Dali		DALI
Dmx		DMX
Dimming & to 10Vdc		D10
Phase Dimming Digital		PHD



A3920.817  
Endcap



A3920.846

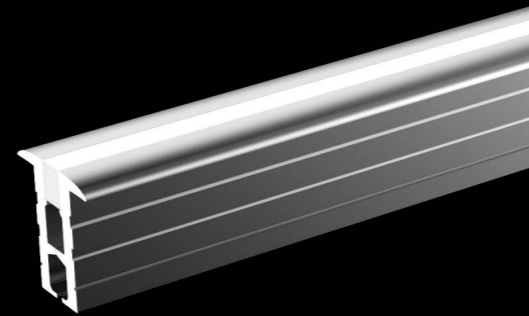


A3920.170  
Suspension kit (x2)

# SINI T

Recessed narrow profile  
Profil encastré étroit

A39126



# SINI

Narrow profile  
Profil étroit

A39110

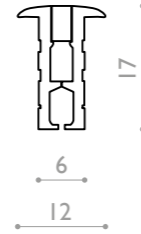


Puissance maxi **Power max**  
20 w/m

Dimensions **Dimensions**  
6 x 17 mm (cutout 7mm)

Longueur maximale **Max.length**  
2000 mm

Température d'utilisation **Ambiant temp.**  
- 10°C / + 40°C

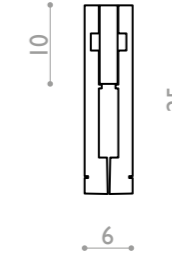


Puissance maxi **Power max**  
20 w/m

Dimensions **Dimensions**  
6 x 25 mm

Longueur maximale **Max.length**  
2000 mm

Température d'utilisation **Ambiant temp.**  
- 10°C / + 40°C



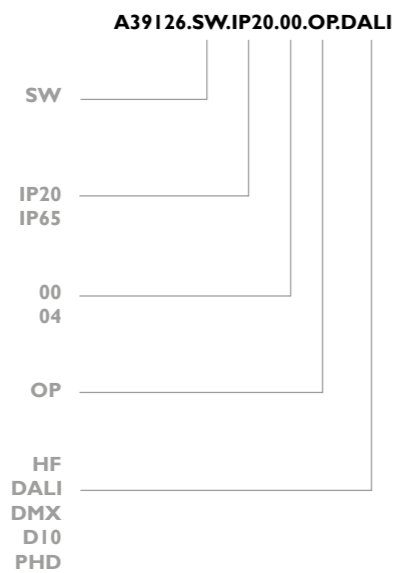
**Type of led**  
Side View A4114

**IP Rating**  
IP20  
IP65H

**Finishes**  
Aluminium anodised silver  
Aluminium anodised black

**Cover & Optic**  
Opal

**Dimming**  
No dimming  
Dali  
Dmx  
Dimming & to 10Vdc  
Phase Dimming Digital



A39126.LPED  
Profilé



A39126.OPL  
Diffusor opal



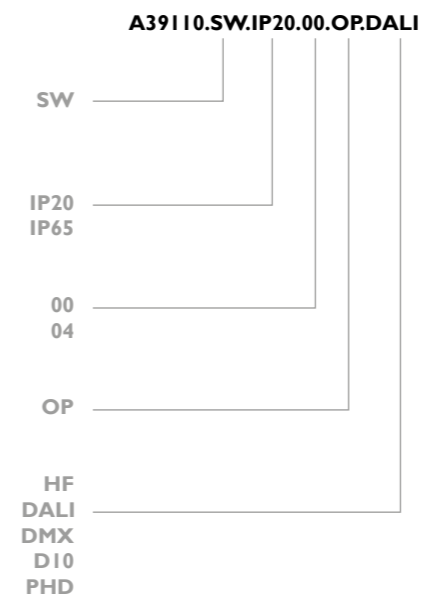
**Type of led**  
Side View A4114

**IP Rating**  
IP20  
IP65H

**Finishes**  
Aluminium anodised silver  
Aluminium anodised black

**Cover & Optic**  
Opal

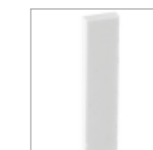
**Dimming**  
No dimming  
Dali  
Dmx  
Dimming & to 10Vdc Phase  
Dimming Digital



A39110.00  
Profilé



A39110.OPL  
Diffusor opal



A39110.ECP  
Endcap



A39110.LPE213  
Vis screw



# ALPHA

Profile with optics  
Profil aluminium avec optiques

A3971



# ALPHA XL

Profile with optics  
Profil aluminium avec optiques

A3979

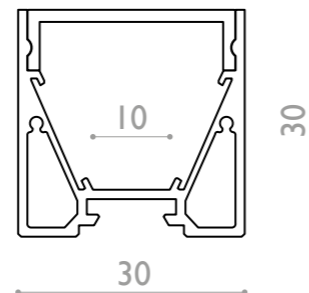


Puissance maxi Power max  
40 w/m

Dimensions Dimensions  
30 x 30 mm

Longueur maximale Max.length  
3000 mm

Température d'utilisation Ambient temp.  
- 10°C / + 40°C

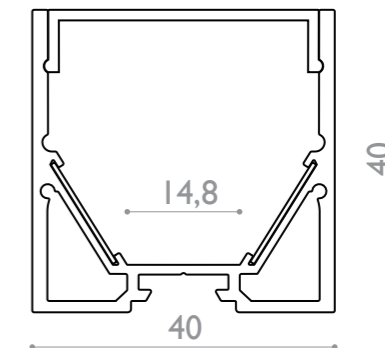


Puissance maxi Power max  
40 w/m

Dimensions Dimensions  
40 x 40 mm

Longueur maximale Max.length  
3000 mm

Température d'utilisation Ambient temp.  
- 10°C / + 40°C



## A3971.C9.IP20.00.OP.DALI

**Type of led**  
Pure CRI99 A4199  
UltraCRI A4101  
Dynamic White A4102  
Regular A4109  
RGB A4106  
RGB+W A4107  
RGB+2W A4117  
High Efficiency A4111  
Ultra Efficiency A4116

C99  
CR  
DW  
C9  
RGB  
RGBW  
RGB2W  
HE  
UE

**IP Rating**  
IP20  
IP65H  
IP65R resine (custom)

IP20  
IP65  
IP65R

**Finishes**  
Aluminium anodised silver  
Aluminium anodised black  
White ral9016 sat

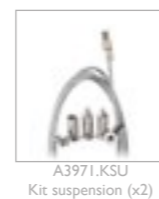
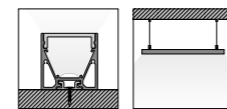
00  
04  
16

**Cover & Optic**  
Opal  
Frost  
Prismatic UGR<19  
Aluminium

OP  
FR  
PR  
AL

**Dimming**  
No dimming  
Dali  
Dmx  
Dimming & to 10Vdc  
Phase Dimming Digital

HF  
DALI  
DMX  
D10  
PHD



A3971.P14  
Profil asymetric 14°

A3971.PSY  
Profil symetric

A3971.CLIP  
Clips plastic

A3971.KSU  
Kit suspension (x2)

## A3979.C9.IP20.00.OP.DALI

**Type of led**  
CRI99 A4199  
UltraCRI A4101  
Dynamic White A4102  
Standard A4108  
CRI92 A4109  
RGB A4106  
RGBW A4107  
RGB2W A4117  
High Efficiency A4111  
Ultra Efficiency A4116

C99  
CR  
DW  
ST  
C9  
RGB  
RGBW  
RGB2W  
HE  
UE

**IP Rating**  
IP20  
IP65H  
IP65R resine (custom)

IP20  
IP65  
IP65R

**Finishes**  
Aluminium anodised silver  
Aluminium anodised black  
White ral9016 sat

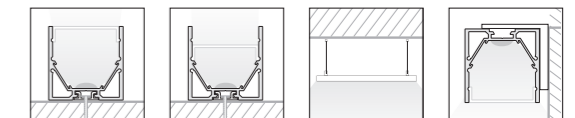
00  
04  
16

**Cover & Optic**  
Opal  
Frost

OP  
FR

**Dimming**  
No dimming  
Dali  
Dmx  
Dimming & to 10Vdc  
Phase Dimming Digital

HF  
DALI  
DMX  
D10  
PHD



A3979.896  
opal



A3979.897  
Frost



A3979.895  
Transparent



A3979.946  
Endcap (x2)



A3979.947  
Endcap



A3979.816  
Reflecteur 97%



A3979.906  
Clips (x2)



A3979.801  
Fixation murale



A3979.919  
Liaison droite



A3979.936  
Liaison angle 90°



A3979.100  
Kit suspension (x2)



A3979.908  
Fixation securit

# SAXO

Profile with reflector  
Profil avec reflecteur

A3921



# OCTO

Profile with reflector  
Profil avec reflecteur

A3926

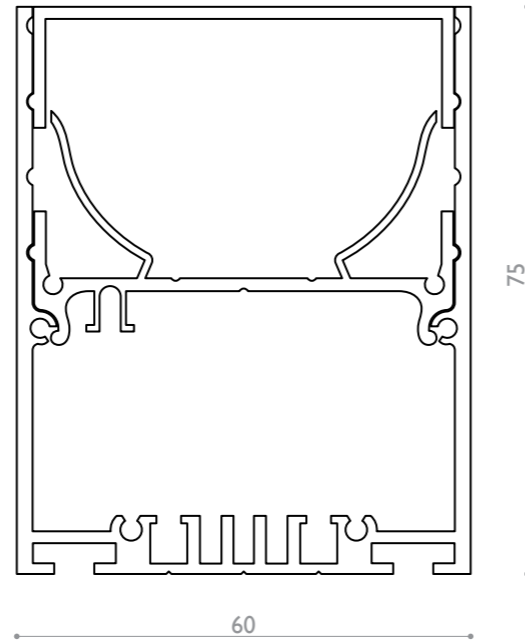


Puissance maxi Power max  
60 w/m

Dimensions Dimensions  
60 x 75 mm

Longueur maximale Max.length  
3000 mm

Température d'utilisation Ambient temp.  
- 10°C / + 40°C

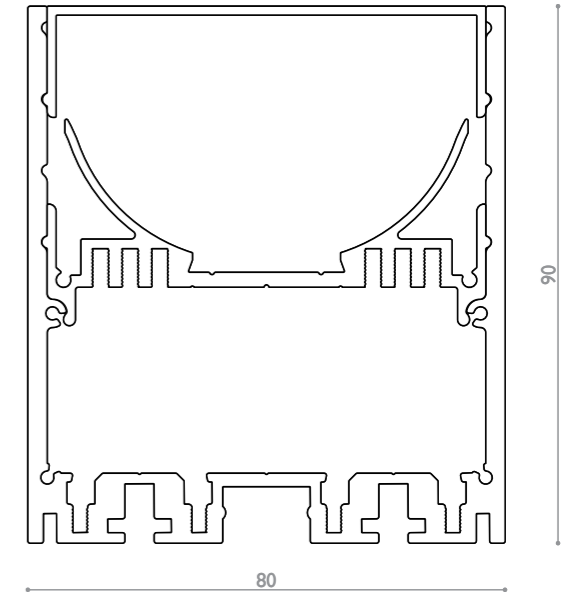


Puissance maxi Power max  
80 w/m

Dimensions Dimensions  
80 x 90 mm

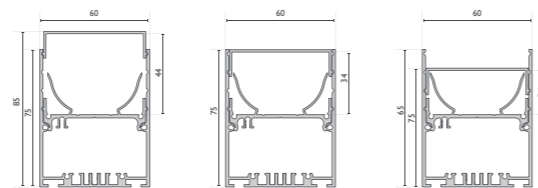
Longueur maximale Max.length  
3000 mm

Température d'utilisation Ambient temp.  
- 10°C / + 40°C



A3921.C9.IP20.00.OP.DALI

<b>Type of led</b>	A4199	C99
CR199	A4101	CR
UltraCRI	A4102	DW
Dynamic White	A4108	ST
Standard	A4109	C9
CR192	A4106	RGB
RGB	A4107	RGBW
RGBW	A4117	RGB2W
RGB2W	A4111	HE
High Efficacy	A4116	UE
Ultra Efficacy		
<b>IP Rating</b>		
IP20	IP20	
IP54	IP54	
IP65H	IP65	
<b>Finishes</b>		
Aluminium anodised silver	00	
Aluminium anodised black	04	
White ral9016 sat	16	
<b>Cover &amp; Optic</b>		
Opal	OP	
Frost	FR	
<b>Dimming</b>		
No dimming	HF	
Dali	DALI	
Dmx	DMX	
Dimming & to 10Vdc	D10	
Phase Dimming Digital	PHD	



A3921.876  
Suspension kit (x2)



A3921.866  
Endcap

A3926.C9.IP20.00.OP.DALI

<b>Type of led</b>	A4199	C99
CR199	A4101	CR
UltraCRI	A4102	DW
Dynamic White	A4108	ST
Standard	A4109	C9
CR192	A4106	RGB
RGB	A4107	RGBW
RGBW	A4117	RGB2W
RGB2W	A4111	HE
High Efficacy	A4116	UE
Ultra Efficacy		
<b>IP Rating</b>		
IP20	IP20	
IP54	IP54	
IP65H	IP65	
<b>Finishes</b>		
Aluminium anodised silver	00	
Aluminium anodised black	04	
White ral9016 sat	16	
<b>Cover &amp; Optic</b>		
Opal	OP	
Frost	FR	
<b>Dimming</b>		
No dimming	HF	
Dali	DALI	
Dmx	DMX	
Dimming & to 10Vdc	D10	
Phase Dimming Digital	PHD	



# CENTO

High Power profile with driver integrated  
Profil forte puissance avec driver intégré

A39175



# CENTO T

High Power recessed profile with driver integrated  
Profil encastré forte puissance avec driver intégré

A39180

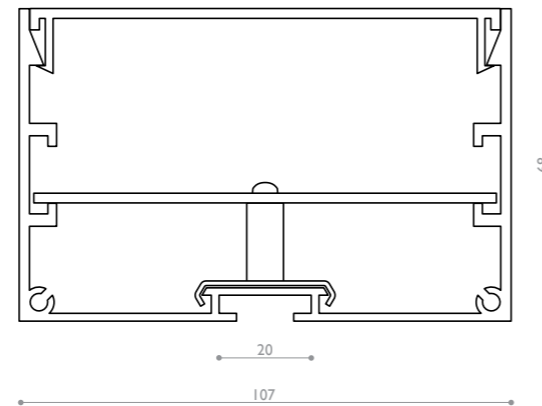


Puissance maxi Power max  
50 w/m

Dimensions Dimensions  
107 x 68 mm

Longueur maximale Max.length  
3000 mm

Température d'utilisation Ambient temp.  
- 10°C / + 40°C

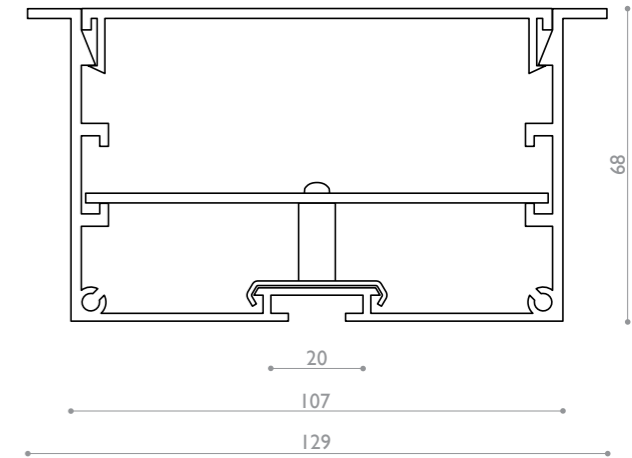


Puissance maxi Power max  
50 w/m

Dimensions Dimensions  
126 x 68 mm

Longueur maximale Max.length  
3000 mm

Température d'utilisation Ambient temp.  
- 10°C / + 40°



## A39175.C9.IP20.00.OP.DALI

<b>Type of led</b>		
UltraCRI	A4101	CR
Dynamic White	A4102	DW
Standard	A4108	ST
CRI92	A4109	C9
RGB	A4106	RGB
RGBW	A4107	RGBW
RGB2W	A4117	RGB2W
High Efficacy	A4111	HE
Ultra Efficacy	A4116	UE
<b>IP Rating</b>		
IP20		IP20
IP54		IP54
IP65H		IP65
<b>Finishes</b>		
Aluminium anodised silver		00
Aluminium anodised black		04
White ral9016 sat		16
<b>Cover &amp; Optic</b>		
Opal		OP
Frost		FR
Prismatic UGR<19		PR
Aluminium		AL
<b>Dimming</b>		
No dimming		HF
Dali		DALI
Dmx		DMX
Dimming & to 10Vdc		D10
Phase Dimming Digital		PHD



## A39180.C9.IP20.00.OP.DALI

<b>Type of led</b>		
UltraCRI	A4101	CR
Dynamic White	A4102	DW
Standard	A4108	ST
CRI92	A4109	C9
RGB	A4106	RGB
RGBW	A4107	RGBW
RGB2W	A4117	RGB2W
High Efficacy	A4111	HE
Ultra Efficacy	A4116	UE
<b>IP Rating</b>		
IP20		IP20
IP54		IP54
IP65H		IP65
<b>Finishes</b>		
Aluminium anodised silver		00
Aluminium anodised black		04
White ral9016 sat		16
<b>Cover &amp; Optic</b>		
Opal		OP
Frost		FR
Prismatic UGR<19		PR
Aluminium		AL
<b>Dimming</b>		
No dimming		HF
Dali		DALI
Dmx		DMX
Dimming & to 10Vdc		D10
Phase Dimming Digital		PHD



# ASTRO T

Recessed profile 45 w/m with optic  
Profil aluminium encastré 45 w/m avec optique

A3982

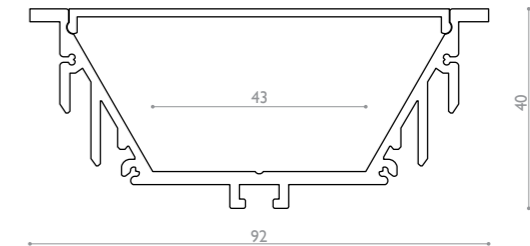


**Puissance maxi Power max**  
40 w/m

**Dimensions Dimensions**  
92 x 40 mm (Cut out 80mm)

**Longueur maximale Max.length**  
3000 mm

**Température d'utilisation Ambient temp.**  
- 10°C / + 40°C



**A3982.C9.IP20.00.FR.DALI**

**Type of led**

CR199	A4199
UltraCRI	A4101
Dynamic White	A4102
Standard	A4108
CR192	A4109
RGB	A4106
RGBW	A4107
RGB2W	A4117
High Efficacy	A4111
Ultra Efficacy	A4116

C99
CR
DW
ST
C9
RGB
RGBW
RGB2W
HE
UE

**IP Rating**

IP20
IP54
IP65H

IP20
IP54
IP65

**Finishes**

Aluminium anodised silver
Aluminium anodised black
White ral9016 sat

00
04
16

**Cover & Optic**

Frost
Prismatic UGR<19

FR
PR

**Dimming**

No dimming
Dali
Dmx
Dimming & to 10Vdc
Phase Dimming Digital

HF
DALI
DMX
D10
PHD



A3982.LC



# ALPHA T

Profile recessed with optics  
Profil encastré avec optiques

A3970



# SAXO T

Profile recessed with optics  
Profil encastré avec optiques

A3925

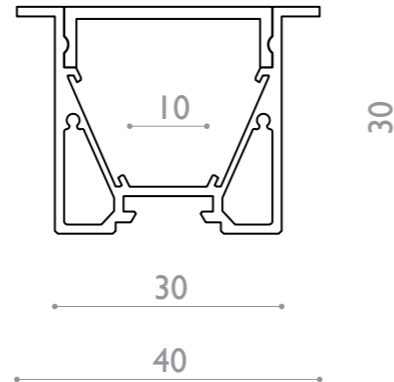


Puissance maxi Power max  
40 w/m

Dimensions Dimensions  
40 x 30 mm (Cut out 30 mm)

Longueur maximale Max.length  
3000 mm

Température d'utilisation Ambient temp.  
- 10°C / + 40°C

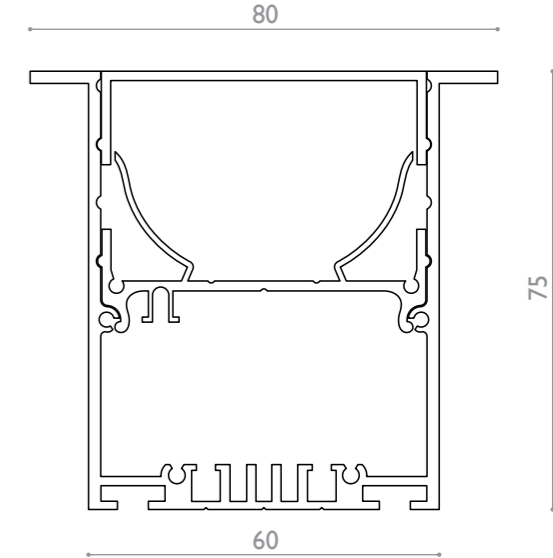


Puissance maxi Power max  
60 w/m

Dimensions Dimensions  
80 x 75 mm (65 mm)

Longueur maximale Max.length  
3000 mm

Température d'utilisation Ambient temp.  
- 10°C / + 40°C



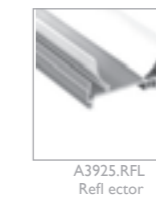
## A3970.C9.IP20.00.OP.DALI

<b>Type of led</b>	A4199	C99
CR199	A4101	CR
UltraCR	A4102	DW
Dynamic White	A4108	ST
Standard	A4109	C9
CR192	A4106	RGB
RGB	A4107	RGBW
RGBW	A4117	RGB2W
RGB2W	A4111	HE
High Efficacy	A4116	UE
Ultra Efficacy		
<b>IP Rating</b>		
IP20	IP20	
IP65H	IP65	
IP65R resine (custom)	IP65R	
<b>Finishes</b>		
Aluminium anodised silver	00	
Aluminium anodised black	04	
White ral9016 sat	16	
<b>Cover &amp; Optic</b>		
Opal	OP	
Frost	FR	
Prismatic UGR<19	PR	
Aluminium	AL	
<b>Dimming</b>		
No dimming	HF	
Dali	DALI	
Dmx	DMX	
Dimming & to 10Vdc	D10	
Phase Dimming Digital	PHD	



## A3925.C9.IP20.00.OP.DALI

<b>Type of led</b>	A4199	C99
CR199	A4101	CR
UltraCRI	A4102	DW
Dynamic White	A4108	ST
Standard	A4109	C9
CR192	A4106	RGB
RGB	A4107	RGBW
RGBW	A4117	RGB2W
RGB2W	A4111	HE
High Efficacy	A4116	UE
Ultra Efficacy		
<b>IP Rating</b>		
IP20	IP20	
IP54	IP54	
IP65H	IP65	
<b>Finishes</b>		
Aluminium anodised silver	00	
Aluminium anodised black	04	
White ral9016 sat	16	
<b>Cover &amp; Optic</b>		
Opal	OP	
Frost	FR	
<b>Dimming</b>		
No dimming	HF	
Dali	DALI	
Dmx	DMX	
Dimming & to 10Vdc	D10	
Phase Dimming Digital	PHD	



# COBE T

Recessed profile with optic  
Profil encastré avec optique

A3963



# SOLO

Recessed profile in floor with IP65 diffusor  
Profil encastré de sol avec diffuseur IP65

A39144

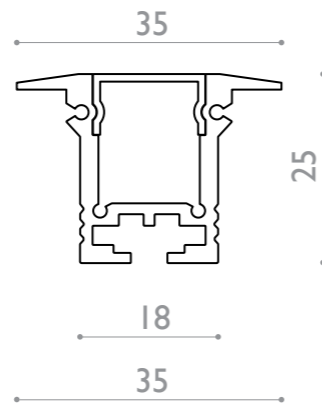


Puissance maxi Power max  
35 w/m

Dimensions Dimensions  
35 x 25 mm (Cutout 25 mm)

Longueur maximale Max.length  
3000 mm

Température d'utilisation Ambient temp.  
- 10°C / + 40°C



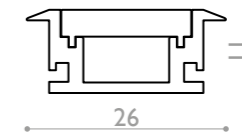
Puissance maxi Power max  
24 w/m

Dimensions Dimensions  
26 x 11 mm (gorge 21mm)

Longueur maximale Max.length  
3000 mm

Fil incandescent Glow wire test  
Night&Day 650°C - Opal Frost 850°C

Température d'utilisation Ambient temp.  
- 10°C / + 40°C



## A3963.C9.IP20.00.OP.DALI

<b>Type of led</b>		
CR199	A4199	C99
UltraCRI	A4101	CR
Dynamic White	A4102	DW
Standard	A4108	ST
CR192	A4109	C9
RGB	A4106	RGB
RGBW	A4107	RGBW
RGB2W	A4117	RGB2W
High Efficacy	A4111	HE
Ultra Efficacy	A4116	UE
<b>IP Rating</b>		
IP20		IP20
IP65H		IP65
IP65 resine (custom)		IP65R
<b>Finishes</b>		
Aluminium anodised silver		00
Aluminium anodised black White		04
ra19016 sat		16
<b>Cover &amp; Optic</b>		
Opal		OP
Opal 500 kg		OP5
Frost		FR
<b>Dimming</b>		
No dimming		HF
Dali		DALI
Dmx		DMX
Dimming & to 10Vdc		D10
Phase Dimming Digital		PHD



A3963.RCS  
RESSORT



A3963.CLI  
Clips



A3963.CLS  
Clips inox



A3963.LIN  
Liaison

## A39144.C9.IP20.00.OP.DALI

<b>Type of led</b>		
Pure CR199	A4199	C99
UltraCRI	A4101	CR
Dynamic White	A4102	DW
Regular	A4109	C9
RGB	A4106	RGB
RGB+W	A4107	RGBW
RGB+2W	A4117	RGB2W
High Efficacy	A4111	HE
Ultra Efficacy	A4116	UE
<b>IP Rating</b>		
IP20		IP20
IP54		IP54
IP65H		IP65
<b>Finishes</b>		
Aluminium anodised silver		00
Aluminium anodised black		04
<b>Cover &amp; Optic</b>		
Opal		OP
<b>Dimming</b>		
No dimming		HF
Dali		DALI
Dmx		DMX
Dimming & to 10Vdc		D10
Phase Dimming Digital		PHD



A39144.00



A39144.OPL  
Diffuseur opal ip65

# BELINI

Recessed profile with IP65 diffusor  
Profil encastré avec diffuseur IP65

A39123



# BELINI XL

Recessed profile with IP65 diffusor  
Profil encastré avec diffuseur IP65

A39122



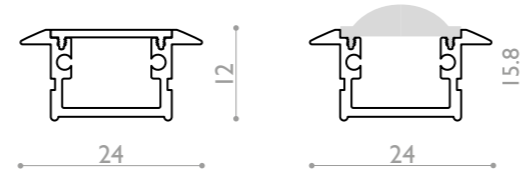
Puissance maxi Power max  
24 w/m

Dimensions Dimensions  
24 x 12 mm (15.8mm with optic 30° - Cut out 17mm)

Longueur maximale Max.length  
3000 mm

Fil incandescent Glow wire test  
Night&Day 650°C - Opal Frost 850°C

Température d'utilisation Ambient temp.  
- 10°C / + 40°C



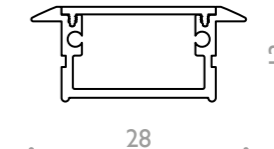
Puissance maxi Power max  
24 w/m

Dimensions Dimensions  
24 x 13 mm (24 x 15.8 mm with XX° optic)

Longueur maximale Max.length  
3000 mm

Fil incandescent Glow wire test  
Night&Day 650°C - Opal Frost 850°C

Température d'utilisation Ambient temp.  
- 10°C / + 40°C



## A39123.C9.IP20.00.OP.DALI

**Type of led**  
Pure CRI99 A4199  
UltraCRI A4101  
Dynamic White A4102  
Regular A4109  
RGB A4106  
RGB+W A4107  
RGB+2W A4117  
High Efficacy A4111  
Ultra Efficacy A4116  
Xicato Artist A4122

C99  
CR  
DW  
C9  
RGB  
RGBW  
RGB2W  
HE  
UE  
XLT

**IP Rating**  
IP20  
IP54  
IP65H

IP20  
IP54  
IP65

**Finishes**  
Aluminium anodised silver  
Aluminium anodised black

00  
04

**Cover & Optic**  
Opal  
Frost  
Opac grey

OP  
FR  
GR

**Dimming**  
No dimming  
Dali  
Dmx  
Dimming & to 10Vdc  
Phase Dimming Digital

HF  
DALI  
DMX  
D10  
PHD



A39123.ECP  
Endcap



A39123.CLI  
Clips inox



A39123.CLS  
Ressort

## A39122.C9.IP65.00.OP.DALI

**Type of led**  
Pure CRI99 A4199  
UltraCRI A4101  
Dynamic White A4102  
Regular A4109  
RGB A4106  
RGB+W A4107  
RGB+2W A4117  
High Efficacy A4111  
Ultra Efficacy A4116

C99  
CR  
DW  
C9  
RGB  
RGBW  
RGB2W  
HE  
UE

**IP Rating**  
IP20  
IP54  
IP65H

IP20  
IP54  
IP65

**Finishes**  
Aluminium anodised silver  
Aluminium anodised black

00  
04

**Cover & Optic**  
Opal  
Frost  
Opac grey

OP  
FR  
GR

**Dimming**  
No dimming  
Dali  
Dmx  
Dimming & to 10Vdc  
Phase Dimming Digital

HF  
DALI  
DMX  
D10  
PHD



A39122.ECP  
Endcap



A39122.CLI  
Clips



A39122.CSP  
Ressort

# TRIO

Corner profile with optics  
Profil d'angle avec optiques

A3967



# SOFIA

Corner profile with diffuser IP65  
Profil d'angle avec diffuseur IP65

A39133

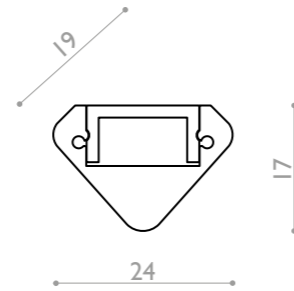


Puissance maxi Power max  
26 w/m

Dimensions Dimensions  
24 x 17 mm (base 19mm)

Longueur maximale Max.length  
3000 mm

Température d'utilisation Ambient temp.  
- 10°C / + 40°C



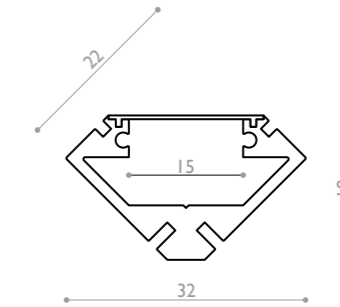
Puissance maxi Power max  
26 w/m

Dimensions Dimensions  
32 x 19 mm (base 22mm)

Longueur maximale Max.length  
3000 mm

Fil incandescent Glow wire test  
Night&Day 650°C - Opal Frost 850°C

Température d'utilisation Ambient temp.  
- 10°C / + 40°C



## A3967.C9.IP20.00.OP.DALI

<b>Type of led</b>		
Pure CRI99	A4199	C99
UltraCRI	A4101	CR
Dynamic White	A4102	DW
Regular	A4109	C9
RGB	A4106	RGB
RGB+W	A4107	RGBW
RGB+2W	A4117	RGB2W
High Efficacy	A4111	HE
Ultra Efficacy	A4116	UE
<b>IP Rating</b>		
IP20		IP20
IP54		IP54
IP65H		IP65
<b>Finishes</b>		
Aluminium anodised silver		00
Aluminium anodised black		04
White ral9016 sat		16
<b>Cover &amp; Optic</b>		
Opal		OP
Opal 500g		OP5
Frost		FR
Frost 30°		F30
<b>Dimming</b>		
No dimming		HF
Dali		DALI
Dmx		DMX
Dimming & to 10Vdc		D10
Phase Dimming Digital		PHD



A3967.CLP  
Clips

## A39133.C9.IP20.00.OP.DALI

<b>Type of led</b>		
Pure CRI99	A4199	C99
UltraCRI	A4101	CR
Dynamic White	A4102	DW
Regular	A4109	C9
RGB	A4106	RGB
RGB+W	A4107	RGBW
RGB+2W	A4117	RGB2W
High Efficacy	A4111	HE
Ultra Efficacy	A4116	UE
<b>IP Rating</b>		
IP20		IP20
IP54		IP54
IP65H		IP65
<b>Finishes</b>		
Aluminium anodised silver		00
Aluminium anodised black		04
<b>Cover &amp; Optic</b>		
Opal		OP
Frost		FR
<b>Dimming</b>		
No dimming		HF
Dali		DALI
Dmx		DMX
Dimming & to 10Vdc		D10
Phase Dimming Digital		PHD



A39133.00



A39133.ECP  
End cap



A39133.CLI  
Clips inox

# ANGEL

Corner profile  
Profil d'angle

A3949



# CORNER

Tile corner profile  
Profil d'angle

A3927

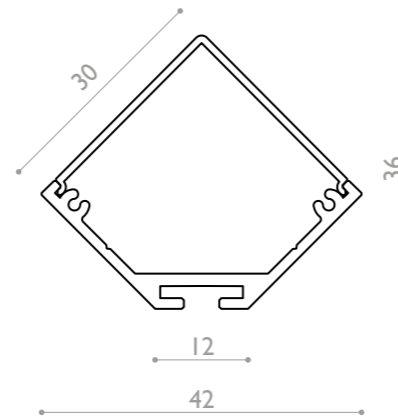


Puissance maxi Power max  
35 w/m

Dimensions Dimensions  
30 x 33 mm (42 x 36 mm)

Longueur maximale Max.length  
3000 mm

Température d'utilisation Ambient temp.  
- 10°C / + 40°C



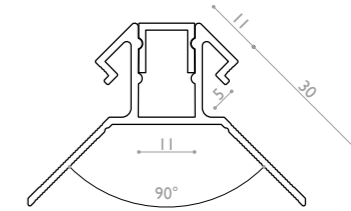
Puissance maxi Power max  
26 w/m

Dimensions Dimensions  
Voir schémas | See diagramm aside

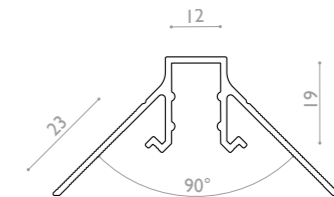
Longueur maximale Max.length  
3000 mm

Température d'utilisation Ambient temp.  
- 10°C / + 40°C

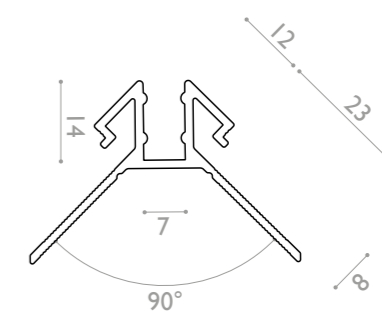
## A3927 Corner out 10mm



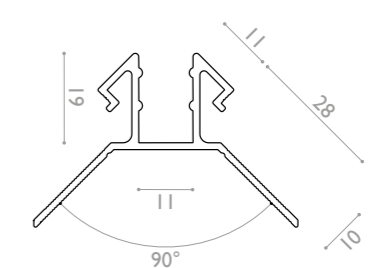
## A3928 Corner in 10mm



## A3929 Corner out 8mm



## A3930 Corner



### A3949.C9.IP20.00.OP.DALI

**Type of led**  
Pure CRI99 A4199  
UltraCR A4101  
Dynamic White A4102  
Regular A4109  
RGB A4106  
RGB+W A4107  
RGB+2W A4117  
High Efficacy A4111  
Ultra Efficacy A4116

C99  
CR  
DW  
C9  
RGB  
RGBW  
RGB2W  
HE  
UE

#### IP Rating

IP20  
IP54  
IP65H

IP20  
IP54  
IP65

#### Finishes

Aluminium anodised silver  
Aluminium anodised black  
White ral9016 sat

00  
04  
16

#### Cover & Optic

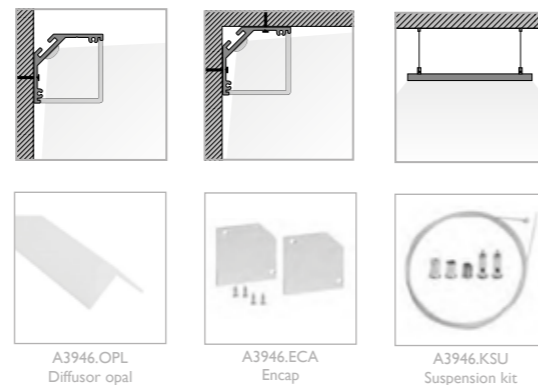
Opal

OP

#### Dimming

No dimming  
Dali  
Dmx  
Dimming & to 10Vdc  
Phase Dimming Digital

HF  
DALI  
DMX  
D10  
PHD



### A3927.C9.IP20.00.OP.DALI

**Type of led**  
Ultra CRI99 A4101  
Dynamic White A4102  
Regular A4109  
RGB A4106  
RGB+W A4107  
RGB+2W A4117  
High Efficacy A4111  
Ultra Efficacy A4116

CR  
DW  
C9  
RGB  
RGBW  
RGB2W  
HE  
UE

#### IP Rating

IP20  
IP54  
IP65H

IP20  
IP54  
IP65

#### Finishes

Aluminium anodised silver  
Aluminium anodised black  
White ral9016 sat

00  
04  
16

#### Cover & Optic

Opal

OP

#### Dimming

No dimming  
Dali  
Dmx  
Dimming & to 10Vdc  
Phase Dimming Digital

HF  
DALI  
DMX  
D10  
PHD

# STEP UP & STEP DOWN

Stairway profile with cable duct  
Profil de marche avec conduit de cables

A3977  
A3978



# FONDO

Floor profile  
Profil de sol

A3942

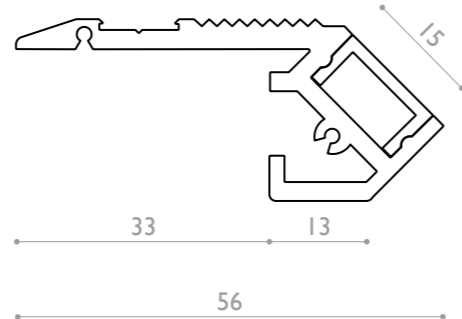


Puissance maxi Power max  
26 w/m

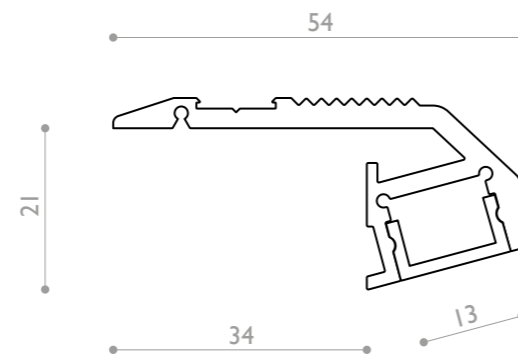
Dimensions Dimensions  
56 x 25 mm

Longueur maximale Max.length  
3000 mm

Température d'utilisation Ambient temp.  
- 10°C / + 40°C



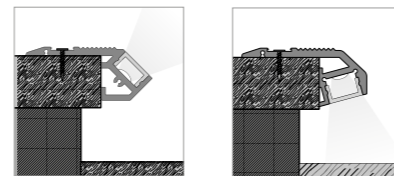
A3977 Step Up



A3978 Step Down

A3977.C9.IP20.00.OP.DALI

<b>Type of led</b>			
Ultra CRI99	A4101	CR	A3977.C9.IP20.00.OP.DALI
Dynamic White	A4102	DW	
Regular	A4109	C9	
RGB	A4106	RGB	
RGB+W	A4107	RGBW	
RGB+2W	A4117	RGB2W	
		RGB2W	
<b>IP Rating</b>			
IP20		IP20	A3977.C9.IP20.00.OP.DALI
IP54		IP54	
IP65H		IP65	
<b>Finishes</b>			
Aluminium anodised silver		00	A3977.C9.IP20.00.OP.DALI
Aluminium anodised black		04	
White ral9016 sat		16	
<b>Cover &amp; Optic</b>			
Opal		OP	A3977.C9.IP20.00.OP.DALI
Frost		FR	
<b>Dimming</b>			
No dimming		HF	A3977.C9.IP20.00.OP.DALI
Dali		DALI	
Dmx		DMX	
Dimming & to 10Vdc		D10	
Phase Dimming Digital		PHD	

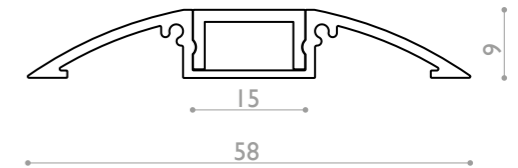


Puissance maxi Power max  
25 w/m

Dimensions Dimensions  
58 x 9 mm

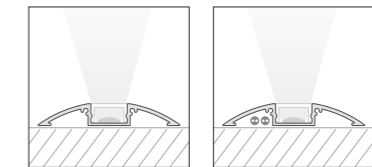
Longueur maximale Max.length  
3000 mm

Température d'utilisation Ambient temp.  
- 10°C / + 40°C



A3942.C9.IP20.00.OP.DALI

<b>Type of led</b>			
Ultra CRI99	A4101	CR	A3942.C9.IP20.00.OP.DALI
Dynamic White	A4102	DW	
Regular	A4109	C9	
RGB	A4106	RGB	
RGB+W	A4107	RGBW	
RGB+2W	A4117	RGB2W	
High Efficacy	A4111	HE	
<b>IP Rating</b>			
IP20		IP20	A3942.C9.IP20.00.OP.DALI
IP54		IP54	
IP65H		IP65	
<b>Finishes</b>			
Aluminium anodised silver		00	A3942.C9.IP20.00.OP.DALI
Aluminium anodised black		04	
White ral9016 sat		16	
<b>Cover &amp; Optic</b>			
Opal		OP	A3942.C9.IP20.00.OP.DALI
Frost		FR	
<b>Dimming</b>			
No dimming		HF	A3942.C9.IP20.00.OP.DALI
Dali		DALI	
Dmx		DMX	
Dimming & to 10Vdc		D10	
Phase Dimming Digital		PHD	



# ORION

Opal profile  
Profil opal

A39165



# ODIN

Opal profile  
Profil opal

A39172

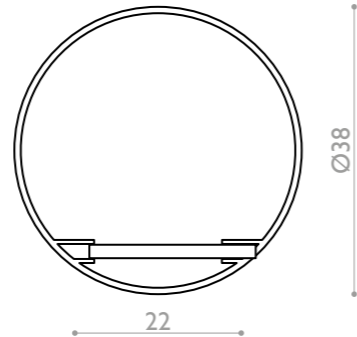


Puissance maxi Power max  
24 w/m

Dimensions Dimensions  
D38 mm

Longueur maximale Max.length  
3000 mm

Température d'utilisation Ambient temp.  
- 10°C / + 40°C

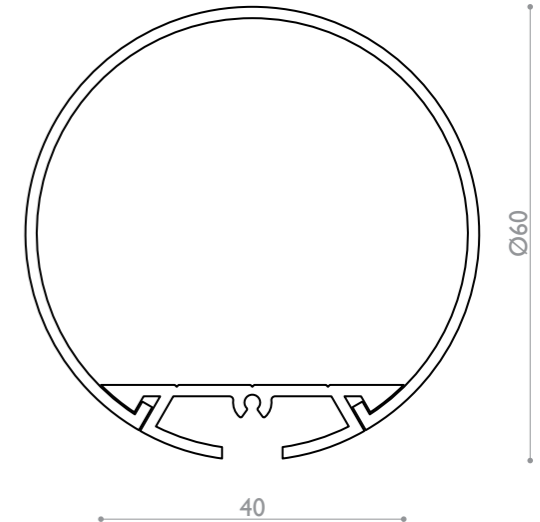


Puissance maxi Power max  
32 w/m

Dimensions Dimensions  
D60 mm

Longueur maximale Max.length  
3000 mm

Température d'utilisation Ambient temp.  
- 10°C / + 40°C



## A39165.C9.IP20.OPDALI

- Type of led**
- Pure CRI99 A4199
- UltraCRI A4101
- Dynamic White A4102
- Regular A4109
- RGB A4106
- RGB+W A4107
- RGB+2W A4117
- High Efficacy A4111
- IP Rating**
- IP20
- IP54
- IP65H
- Cover & Optic**
- Opal
- Dimming**
- No dimming
- Dali
- Dmx
- Dimming & to 10Vdc
- Phase Dimming Digital

- C99
- CR
- DW
- C9
- RGB
- RGBW
- RGB2W
- HE
- IP20
- IP54
- IP65
- OP
- HF
- DALI
- DMX
- D10
- PHD



A39165.KSU  
Suspension



A39165.CLP  
Clips

## A39172.C9.IP20.OPDALI

- Type of led**
- CR199 A4199
- UltraCRI A4101
- Dynamic White A4102
- Standard A4108
- CR192 A4109
- RGB A4106
- RGBW A4107
- RGB2W A4117
- High Efficacy A4111
- IP Rating**
- IP20
- IP54
- IP65H
- Cover & Optic**
- Opal Polycarbonat
- Dimming**
- No dimming
- Dali
- Dmx
- Dimming & to 10Vdc
- Phase Dimming Digital

- C99
- CR
- DW
- ST
- C9
- RGB
- RGBW
- RGB2W
- HE
- IP20
- IP54
- IP65
- OP
- HF
- DALI
- DMX
- D10
- PHD



A39172.KC010  
Suspension kit  
Silver/white/black



A39172.LPEHO



A39172.OPL  
Opal Polycarbonat



A39172.LP226  
Plastic endcap

# OLYMPE XL

Round profile with IP65 diffusor  
Profil cylindrique avec diffuseur IP65

A39163



# OSCAR

Round profile with IP65 diffusor  
Profil cylindrique avec diffuseur IP65

A39174

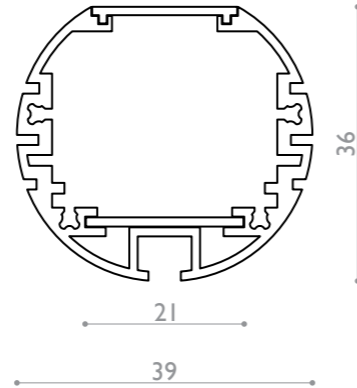


Puissance maxi Power max  
40 w/m

Dimensions Dimensions  
D39 mm

Longueur maximale Max.length  
3000 mm

Température d'utilisation Ambient temp.  
- 10°C / + 40°C



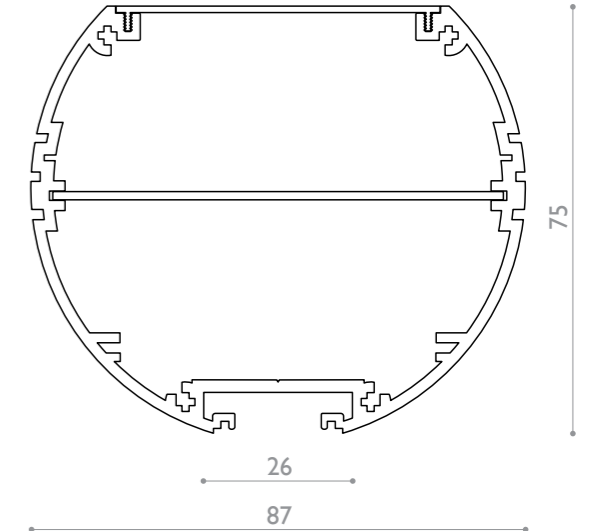
Puissance maxi Power max  
40 w/m

Dimensions Dimensions

D 87 mm

Longueur maximale Max.length  
3000 mm

Température d'utilisation Ambient temp.



## A39163.C9.IP20.00.OP.DALI

<b>Type of led</b>	A4199	C99
CRI99	A4101	CR
UltraCRI	A4102	DW
Dynamic White	A4108	ST
Standard	A4109	C9
CRI92	A4106	RGB
RGB	A4107	RGBW
RGBW	A4117	RGB2W
RGB2W	A4111	HE
High Efficacy	A4116	UE
Ultra Efficacy		
<b>IP Rating</b>		
IP20	IP20	
IP54	IP54	
IP65H	IP65	
<b>Finishes</b>		
Aluminium anodised silver	00	
Aluminium anodised black	04	
<b>Cover &amp; Optic</b>		
Opal	OP	
Frost	FR	
<b>Dimming</b>		
No dimming	HF	
Dali	DALI	
Dmx	DMX	
Dimming & to 10Vdc	D10	
Phase Dimming Digital	PHD	



A39163.00



A39163.ECA



A39163.KSC



A39163.KSU

## A39174.C9.IP20.00.OP.DALI

<b>Type of led</b>	A4199	C99
CRI99	A4101	CR
UltraCRI	A4102	DW
Dynamic White	A4108	ST
Standard	A4109	C9
CRI92	A4106	RGB
RGB	A4107	RGBW
RGBW	A4117	RGB2W
RGB2W	A4111	HE
High Efficacy	A4116	UE
Ultra Efficacy		
<b>IP Rating</b>		
IP20	IP20	
IP54	IP54	
IP65H	IP65	
<b>Finishes</b>		
Aluminium anodised silver	00	
Aluminium anodised black	04	
<b>Cover &amp; Optic</b>		
Opal	OP	
Prismatic UGR<19	PR	
<b>Dimming</b>		
No dimming	HF	
Dali	DALI	
Dmx	DMX	
Dimming & to 10Vdc	D10	
Phase Dimming Digital	PHD	



A39174.KC07



A39174.KC08



# URUS

Square profile with IP65 diffuser  
Profil carré avec diffuseur IP65

A39170



Puissance maxi **Power max**  
35 w/m

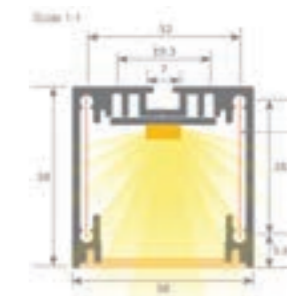
Dimensions **Dimensions**  
38 x 38 mm

Longueur maximale **Max.length**  
3000 mm

Température d'utilisation **Ambiant temp.**  
- 20°C / + 40°C

Fil incandescent **Glow wire test**  
Night&Day 650°C - Opal Frost 850°C

Tension d'alimentation **Input voltage**  
5V (pixel) - 12V (pixel) - 24Vdc



**A39170.C9.IP65.00.FR.HF**

### Type of led

Pure CRI99	A4199	C99
UltraCRI	A4101	CR
Dynamic White	A4102	DW
Regular	A4109	C9
RGB	A4106	RGB
RGB+W	A4107	RGBW
RGB+2W	A4117	RGB2W
High Efficacy	A4111	HE
Ultra Efficacy	A4116	UE
Distance	A4121	D30
Pixelmonochrome	A4119	PXW
Pixel dynamic	A4122	PXWW
Pixel RGB	A4120	PXRGB
Pixel RGBW	A4124	PXRGBW

### IP Rating

IP20	IP20
IP54	IP54
IP65H	IP65

### Finishes

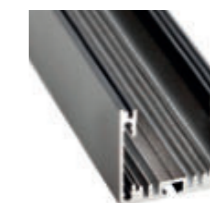
Aluminium anodised silver	00
Aluminium painted black	04

### Cover & Optic

Frost	FR
Microprismatic frost	PRF
Microprismatic transparent	PRT
Night&Day	ND

### Dimming

No dimming	HF
Dali	DALI
Dmx	DMX
Dimming & to 10Vdc Phase	D10
Dimming Digital	PHD



A39170.FR frost  
A39170.PRF microprismatic frost  
A39170.PRT microprismatic  
transparent



A39170.SUS



A39170.JCT  
Junction plate



A39170.ECA  
Endcap



A39170.SDF  
90° side fixation (x2)

**DRIVERS & CONTROLLERS**

ADJUST. POWER SUPPLY IP65	130
POWER SUPPLY 24V IP20	131
DALI DT6 DRIVER 24V IP20	132
DALI DT8 DRIVER 24V IP20	133



# ADJUST. POWER SUPPLY IP65

PSU adjustable through internal potentiometer  
Driver réglable par potentiometre intégré

A624R



**Puissance de sortie Output power**  
40 w to 600 w

**Tension de sortie DC Voltage**  
24v / 48v / 54v

**Rendement Efficiency**  
93%

**Réglage Adjustment**  
I & V adjustable through internal potentiometer

**Indice de protection IP rate**  
IP65

**Température d'utilisation Ambient temp.**  
-20°C / + 45°C

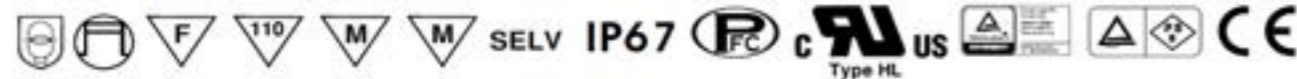
**Tension alimentation Input voltage**  
90 ~ 305VAC 127 ~ 431VDC

**Normes sécurité Safety standards**  
TUV EN61347-1, EN61347-2-13 independent; IP65 or IP67 design refer to UL60950-1, TUV EN60950-1

**Emission EMC EMC emission**  
EN55015, EN55022 Class B, EN61000-3-2 Class C ; EN61000-3-3

**Imunité EMC EMC immunity**  
EN61000-4-2,3,4,5,6,8,11, EN61547, EN55024

REFERENCE	Puissance	Dimensions
A624040R	40 w	171*62*37mm
A624060R	60 w	171*62*37mm
A624080R	80 w	196*62*39mm
A624100R	100 w	220*63*39mm
A624120R	120 w	220*63*39mm
A624150R	150 w	228*68*39mm
A624185R	185 w	228*68*39mm
A624240R	240 w	244*68*39mm
A624320R	320 w	252*90*44mm
A624600R	600 w	280*144*49mm



# POWER SUPPLY 24V IP20

Driver LED constant voltage  
Driver LED à tension constante

A624ES



**Puissance de sortie Output power**  
60 w to 200 w

**Tension de sortie DC Voltage**  
24v

**Rendement Efficiency**  
92%

**Indice de protection IP rate**  
IP20

**Dimension Dimensions**  
L x 43 x 30 mm

**Température d'utilisation Ambient temp.**  
-20°C / + 45°C

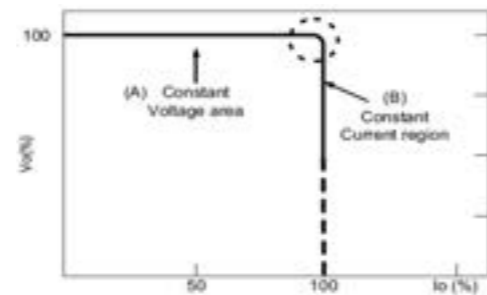
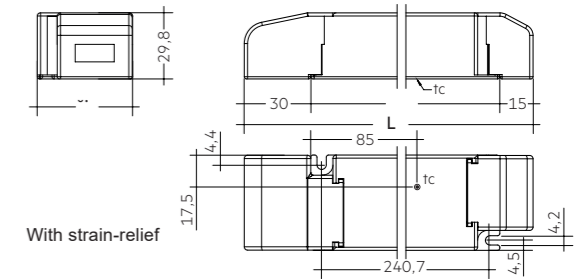
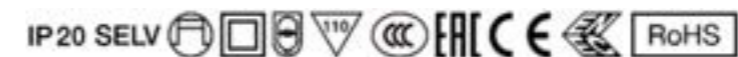
**Tension alimentation Input voltage**  
198 ~ 264 VAC

**Durée de vie & garantie Lifetime & Warranty**  
50.000 h - 5 years

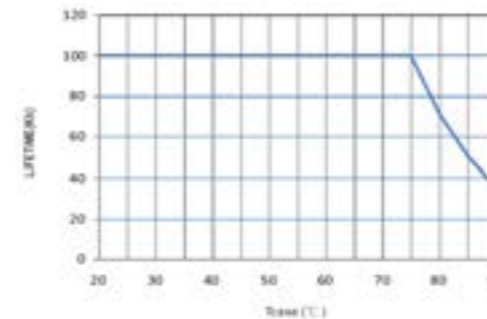
**Courant d'appel (crête / durée) In-rush current**  
40 A / 186 μs

**Norme Standard**  
EN 55015, EN 61000-3-2, EN 61000-3-3, EN 61347-1 EN 61347-2-13, EN 62384, EN 615474

REFERENCE	Puissance	Dimensions
A624035ES	35 w	142*43*30mm
A624060ES	60 w	225*43*30mm
A624100ES	100 w	295*43*30mm
A624200ES	200 w	325*43*30mm



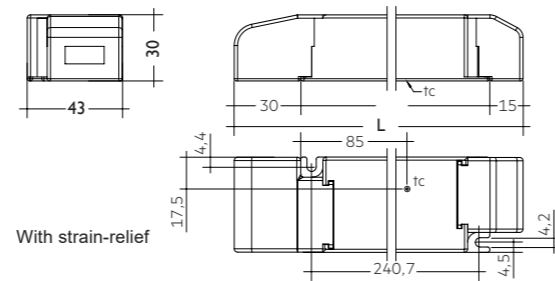
Typical output current normalized by rated current (%)



# DALI DT6 DRIVER 24V IP20

Monochannel DALI DT6 driver with PUSHDIM  
Driver monocanal DALI DT6 et PUSHDIM

A6240



**Puissance de sortie Output power**  
35 w to 150 w

**Tension de sortie DC Voltage**  
24v

**Rendement Efficiency**  
94%

**Indice de protection IP rate**  
IP20

**Dimension Dimensions**  
L x 43 x 30 mm

**Température d'utilisation Ambient temp.**  
-20°C / + 45°C

**Tension alimentation Input voltage**  
198 ~ 264 VAC

**Durée de vie & garantie Lifetime & Warranty**  
50.000 h - 5 years

**Courant d'appel (crête / durée) In-rush current**  
60 A / 195 μs

**Norme Standard**  
EN 55015, EN 61000-3-2, EN 61000-3-3, EN 61347-1  
EN 61347-2-13, EN 62384, EN 61547, EN 62386-101, EN 62386-102

REFERENCE	Puissance	Dimensions
A6240350	35 w	195*43*30mm
A6240600	60 w	225*43*30mm
A6241000	100 w	295*43*30mm
A6242000	150 w	325*43*30mm



# DALI DT8 DRIVER 24V IP20

Dali DT8 Constant Voltage driver IP20 PWM  
Driver Dali DT8 tension constante IP20 PWM

A624075DT8 - A624100DT8



**Puissance de sortie Output power**  
75w (A624075DT8) - 100w (A624100DT8)

**Dimensions Dimensions**  
293x43x30mm

**Signal de sortie Output**  
PWM-CV

**Protocole de gradation Dimming Protocol**  
DALI DT8 (IEC62386) - Push DIM/CCT

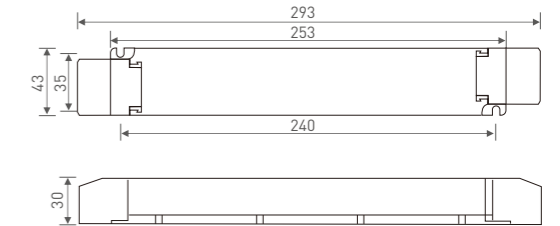
**Indice de protection IP rate**  
IP20

**Température d'utilisation Operating temp.**  
-20°C / + 45°C

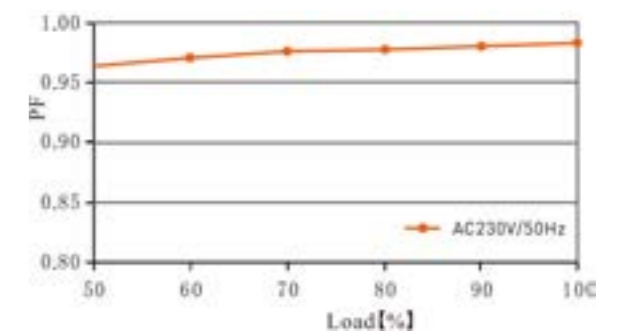
**Tension de sortie Output voltage**  
24 Vdc

**Normes sécurité Safety standards**  
IEC62386-101,102,207;EN55015;EN61000-3-2;EN61000-3-3;ROHS2

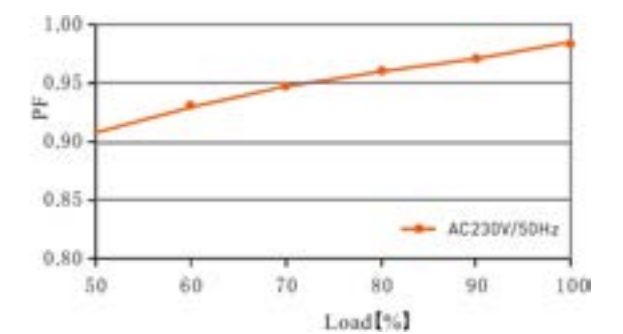
**Garantie Warranty**  
3 years



## Power factor



## Efficiency



## Application of Protective Cover

Wire pressing board:



Push the wire pressing board to the wire

Push outward the side plate. Insert the tool to unscrew the wire pressing board.

Uninstall protective cover:



Break off the bottom left and right to remove the protected cover.



# ATEA

## **ATEA Paris (Headquarters)**

E. [sales@atea.fr](mailto:sales@atea.fr)

T. +33 (0)1 41 36 07 70

138 avenue Aristide Briand  
92220 Bagneux - France

[www.atema.fr](http://www.atema.fr)

## **ATEA London**

E. [uk@atea.fr](mailto:uk@atea.fr)

T. +44 7365 775693

## **ATEA Switzerland**

E. [switzerland@atea.fr](mailto:switzerland@atea.fr)

T. +33 (0)6 73 87 56 67

## **ATEA Luxembourg**

E. [luxembourg@atea.fr](mailto:luxembourg@atea.fr)

T. +352 4415441

## **ATEA Sweden**

E. [sweden@atea.fr](mailto:sweden@atea.fr)

T. +44 7365 775693